

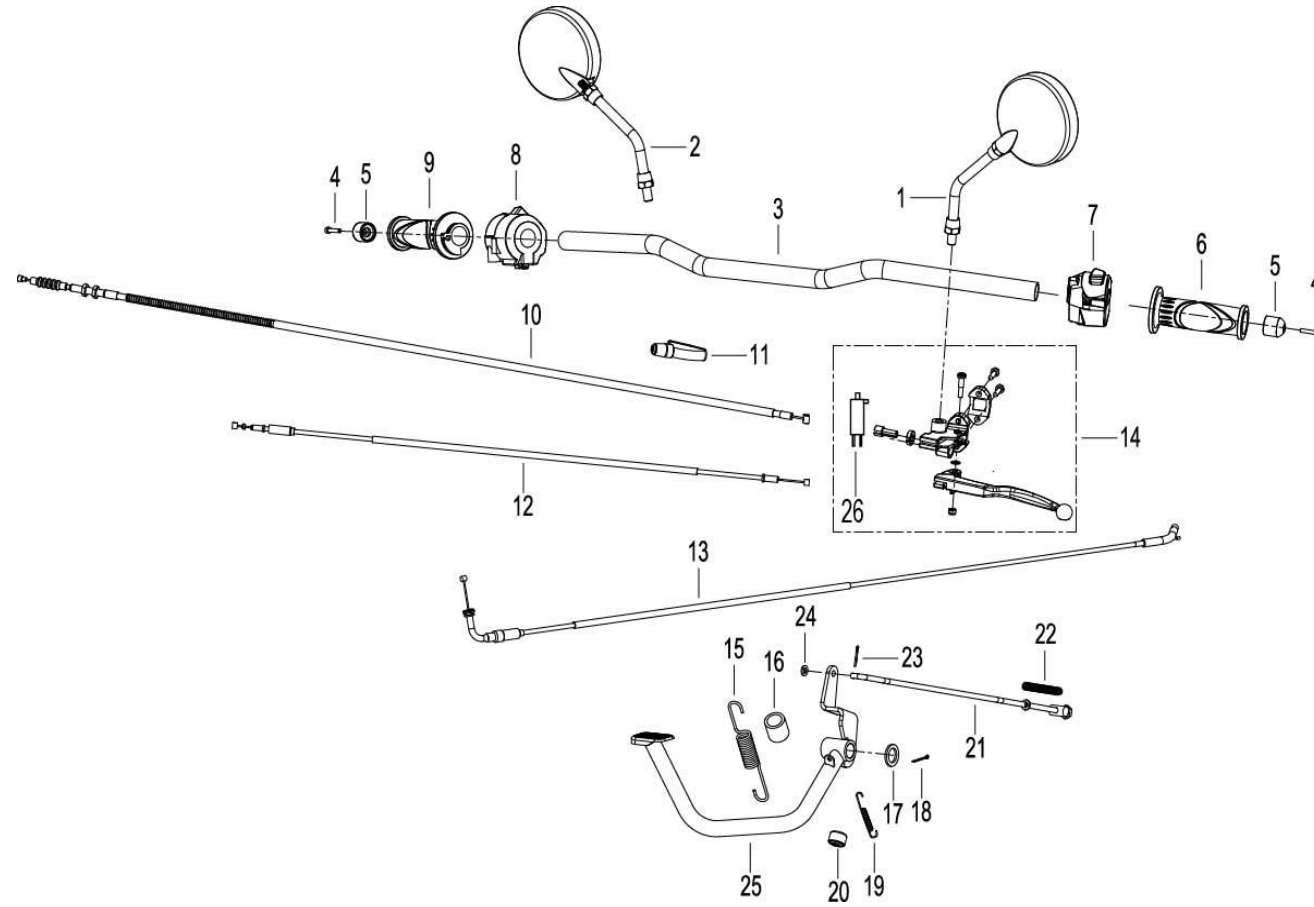


S.P.Catalog_Cafe Racer152

COLOR	GRAPHITE BLACK	WHITE	BLUE	RED
CODE	BC	WF	L5	R2
PICTURE				
COLOR	GRAPHITE BLACK	WHITE	BLUE	RED
CODE	BC	WF	L5	R2
PICTURE				

F01 操纵 CONTROL ASSY.



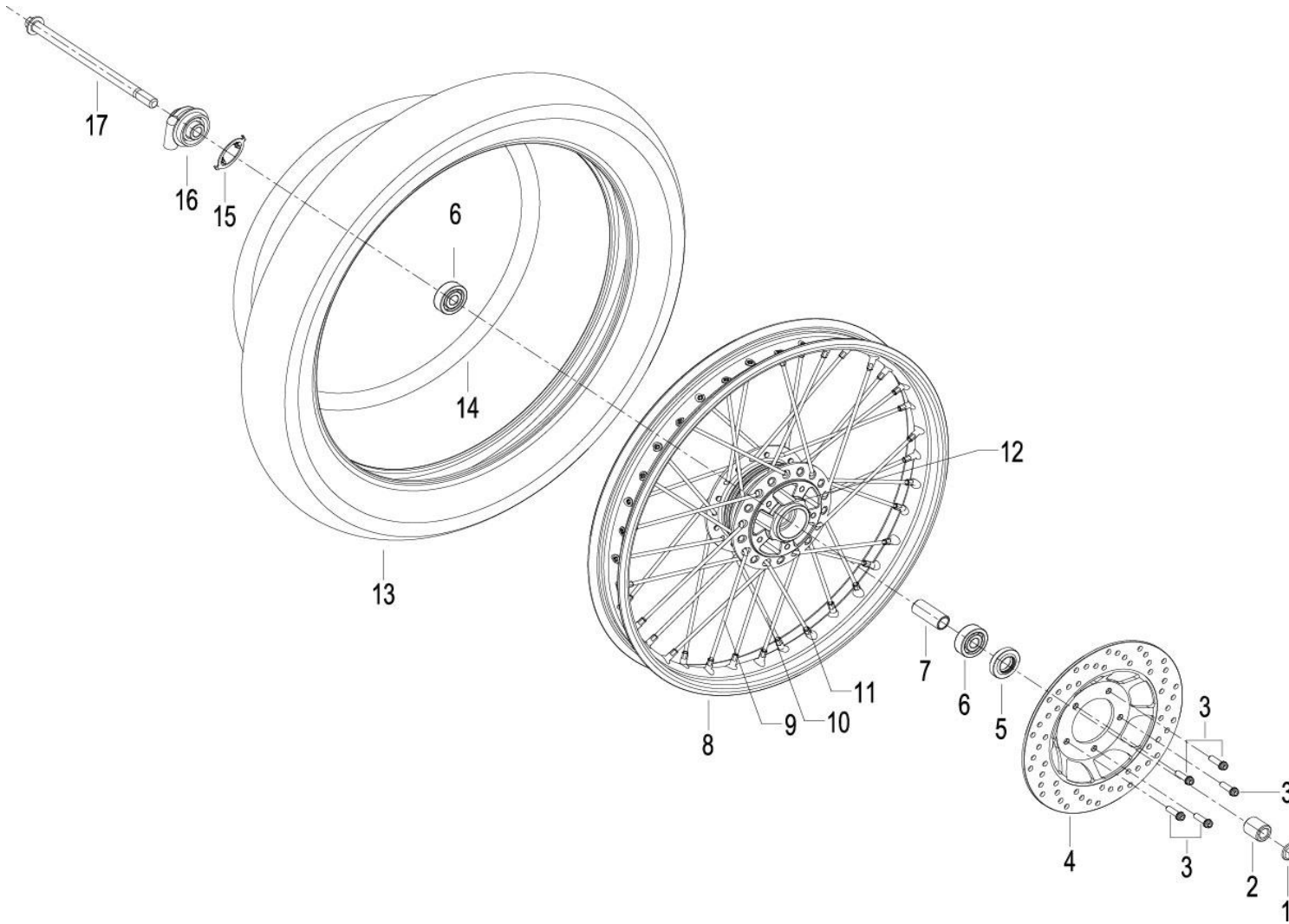
NO.	Position No.	CODE	CN DESCRIPTION	EN DESCRIPTION	Qty/Unit	NOTES
1	F01	40450L070004	左后视镜组件	MIRROR ASSY.,RR.VIEW,L	1	
1	F01	40450L070001	左后视镜组件	MIRROR ASSY.,RR.VIEW,L	1	2022
2	F01	40480L070004	右后视镜组件	MIRROR ASSY.,RR.VIEW,R.	1	
2	F01	40480L070001	右后视镜组件	MIRROR ASSY.,RR.VIEW,R.	1	2022
3	F01	40100L070004	方向把焊接组件	HANDLERBAR ASSY	1	
3	F01	40100L070104	方向把焊接组件(亚黑)	HANDLERBAR ASSY,MATT BLACK	1	2022

NO.	Position No.	CODE	CN DESCRIPTION	EN DESCRIPTION	Qty/Unit	NOTES
4	F01	B0205060356H	内六角螺钉M6x35	SCREW M6x35	2	
5	F01	40031J000022	把手挡位块	PLUG,HANDLEBAR	2	
6	F01	40001L070004	左把手套	BUSHING,STEERING HANDLE,L	1	
6	F01	40001L070005	左把手套(越野款)	BUSHING,STEERING HANDLE,L,OFF-ROAD VERSION	1	2022
7	F01	40500G530001	左组合开关组件	LEFT HANDLEBAR SWITCH ASSY	1	
8	F01	40600G530005	右组合开关组件(大灯常亮)	RIGHT HANDLEBAR SWITCH ASSY,AHO	1	for automatic headlight on
9	F01	40210L070004	右握把组件	RIGHT HANDLEBAR ASSY	1	
9	F01	40210L070005	右握把组件(越野款)	RIGHT HANDLEBAR ASSY,OFF-ROAD VERSION	1	2022
10	F01	40400L070104	离合器线组件	CLUTCH WIRE ASSY	1	
11	F01	40017J040000	离合器线护套	CLUTCH WIRE JACKET	1	
12	F01	40350L070104	风门线组件	THROTTLE LINE ASSY	1	
13	F01	40300L070104	油门线组件	THROTTLE CABLE ASSY	1	
14	F01	40080J040206	左手柄组件	LEFT LEVER ASSY	1	Black Colour Screw
15	F01	40702G120010	刹车踏板复位弹簧	BRAKE PEDAL RETURNING SPRING	1	
16	F01	40705L070004	刹车踏板弹簧橡胶套	RUBBER SLEEVE	1	
17	F01	08025J000000	垫圈	CIRCLIP	1	
18	F01	B090003025AH	开口销3x25	COTTER PIN 3x25	1	
19	F01	40019J060006	刹车灯开关拉簧	BRAKE SWITCH SPRING	1	
20	F01	02693J000000	刹车开关护套	BRAKE SWITCH JACKET	1	
21	F01	40270L070004	拉杆组件	PULLING ROD ASSY	1	
22	F01	40274J000030	后刹弹簧	REAR BRAKE SPRING	1	
23	F01	B090002018A5	开口销2x18	COTTER PIN 2x18	1	
24	F01	B0703000060H	垫圈6	WASHER 6	1	
25	F01	40710L070004	刹车踏板焊接组件	BRAKE PEDAL ASSY	1	
26	F01	91090K010000	离合器开关	SWITCH,CLUTCH	1	2022

NO.	Position No.	CODE	CN DESCRIPTION	EN DESCRIPTION	Qty/Unit	NOTES
7	F02	43008G530000	压紧螺母	NUT	1	
8	F02	43005G130000	上部转向防尘罩	ANTI-DUST COVER	1	
9	F02	43001G130000	上轴承上钢碗	UPPER CUP,UPPER BEARING	1	
10	F02	B06010140000	钢珠3/16英寸	STEEL BALL 3/16"	23	
11	F02	43002G130000	上轴承下钢碗	UPPER BEARING LOWER RACE	1	
12	F02	43003N040000	下轴承上钢碗	LOWER BEARING UPPER RACE	1	
13	F02	B06010200000	钢珠1/4英寸	STEEL BALL 1/4"	40	
14	F02	43004J000000	下轴承下钢碗	LOWER BEARING LOWER RACE	1	
15	F02	43100J000003	下联板组件	LOWER BRACKET	1	
16	F02	B0102100356H	螺栓M10×35	BOLT M10×35	2	
17	F02	B0703000100H	垫圈φ10	WASHER 10	2	
18	F02	B0700000100H	弹性垫圈10	SPRING WASHER 10	2	
19	F02	86300L070000	侧反射体	SIDE REFLECTOR	2	
20	F02	B0109060126H	螺栓M6×12	BOLT M6×12	2	
21	F02	43035T800000	里程表线夹II	CLIP II	1	
22	F02	B1311060120H	组合螺栓M6×12	BOLT W/WASHER M6×12	1	
23	F02	43035J000104	液刹管线夹	BRAKE HOSE CLIP	1	
24	F02	43200J000008	左前减震器组件	FRONT LEFT SHOCK ABSORBER ASSY	1	
25	F02	43300J000008	右前减震器组件	FRONT RIGHT SHOCK ABSORBER ASSY	1	
26	F02	08530L070004	支架固定座	MOUNTING BRACKET	2	
27	F02	08513L070004	支架衬垫	CUSHION	2	
28	F02	B0205060166H	螺钉M6×16	SCREW M6×16	4	
28	F02	B0205060206H	螺钉M6×20	SCREW M6×20	4	
29	F02	08511L070004	大灯左安装支架	HEAD LIGHT LEFT MOUNTING BRACKET	1	
30	F02	08521L070004	大灯右安装支架	HEAD LIGHT RIGHT MOUNTING BRACKET	1	

NO.	Position No.	CODE	CN DESCRIPTION	EN DESCRIPTION	Qty/Unit	NOTES
31	F02	43057J000070	主电缆线夹	CLIP	1	
32	F02	43035J300000	电缆线线夹	CLIP	1	
34	F02	43260J000001	前减震器油封42X30X10	OIL SEAL ASSY.42X30X10	2	2022

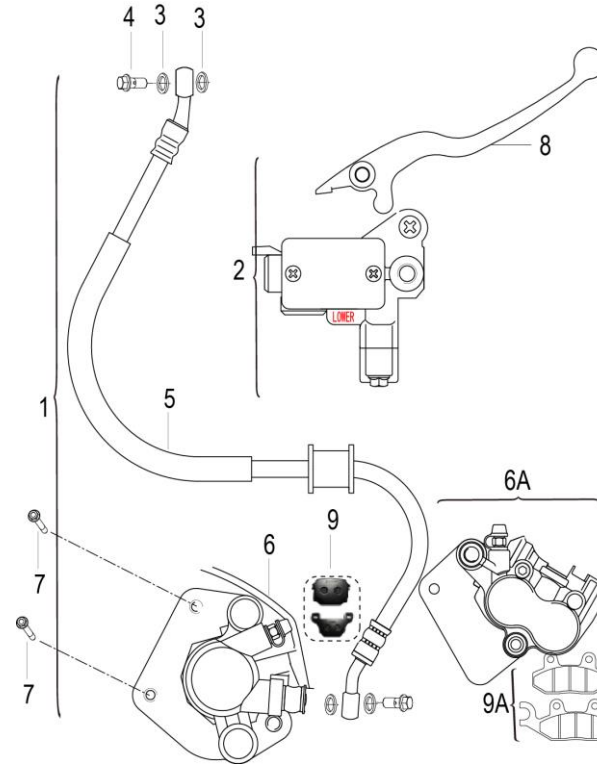
F03 前轮 FRONT WHEEL ASSY.



NO.	Position No.	CODE	CN DESCRIPTION	EN DESCRIPTION	Qty/Unit	NOTES
1	F03	B0417121254H	自锁螺母M12x1.25	SELF-LOCKING NUT M12x1.25	1	
2	F03	44016J040051	前轮右轴套	FRONT WHEEL RIGHT SHAFT SLEEVE	1	
3	F03	B02810602062	螺栓M6x1x20	BOLT MM6x1x20	5	
4	F03	45033J040000	液刹盘	FRONT BRAKE DISC	1	

NO.	Position No.	CODE	CN DESCRIPTION	EN DESCRIPTION	Qty/Unit	NOTES
5	F03	44300J000000	油封组件	OIL SEAL	1	
6	F03	B12016030104	滚动轴承6301-2Z	BEARING 6301-2Z	2	
7	F03	44006J040001	前轮中间轴套	FRONT WHEEL MID SHAFT SLEEVE	1	
8	F03	44101G530101	前轮圈(哑黑BG)	FRONT WHEEL RIM,MATTE BLACK BG	1	
8	F03	44101G53BH01	前轮圈(特黑BH)	FRONT WHEEL RIM,EXTRA BLACK BH	1	2022
9	F03	44011L070004	前轮外侧辐条	FRONT WHEEL OUTER SIDE SPOKE	18	
10	F03	44012L070004	前轮内侧辐条	FRONT WHEEL INNER SIDE SPOKE	18	
11	F03	44014G530001	辐条螺母	NUT	36	
12	F03	44102J940000	前轮毂	FRONT WHEEL HUB ASSY	1	
13	F03	B1411300175Z	内外胎	TIRE&TUBE 3.00-17	1	
14	F03	44013D010002	内胎垫带	INNER TUBE STRIP	1	
15	F03	44241J040000	驱动片	DRIVING PLATE	1	
16	F03	44200J040006	齿轮座组件	SPEED GEAR ASSY	1	
17	F03	44004J000100	前轮轴	FRONT WHEEL SHAFT	1	

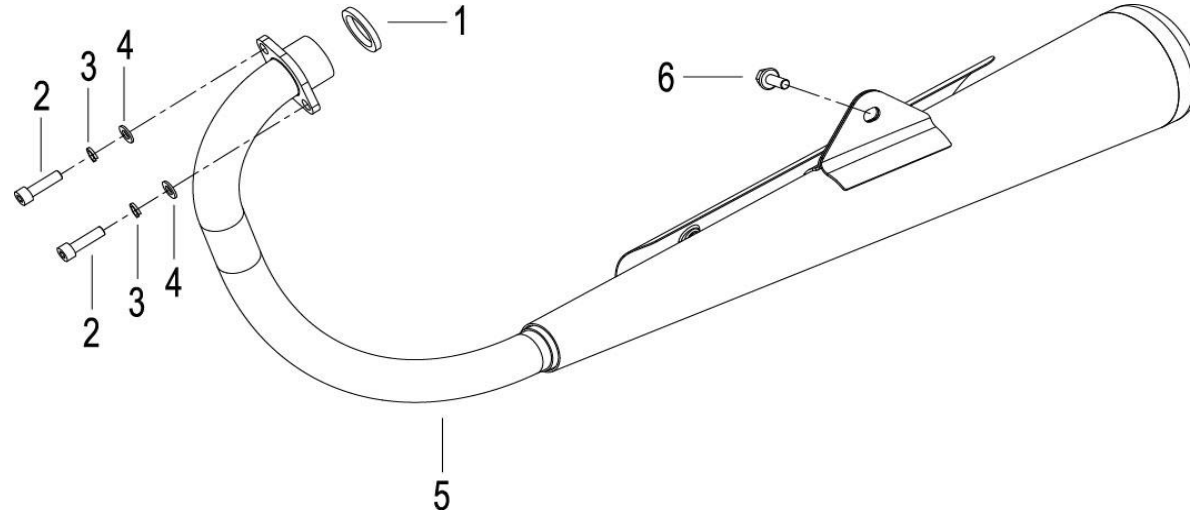
F04 前液刹总成 FRONT DISK BRAKE



NO.	Position No.	CODE	CN DESCRIPTION	EN DESCRIPTION	Qty/Unit	NOTES
1	F04	45900L070004	前液刹组件	FRONT DISK BRAKE ASSY	1	
1	F04	45900L070105	前液刹组件	FRONT DISK BRAKE ASSY,bolts in black	1	2022
2	F04	45400J040000	油泵体组件	FRONT MASTER CYLINDER ASSY	1	
3	F04	55180J410000	密封垫	WASHER	4	
4	F04	55037J410000	六角法兰面螺钉	HEX FLANGE BOLT	2	
5	F04	45200L290000	前制动软管总成	FRONT BRAKE HOSE ASSY	1	
5	F04	45200L070000	前制动软管总成	FRONT BRAKE HOSE ASSY	1	2022
6	F04	45500J000000	前制动缸组件	FRONT DISK BRAKE CALIPER ASSY	1	
6A	F04	45500L070000	前制动缸组件	FRONT DISK BRAKE CALIPER ASSY	1	2022

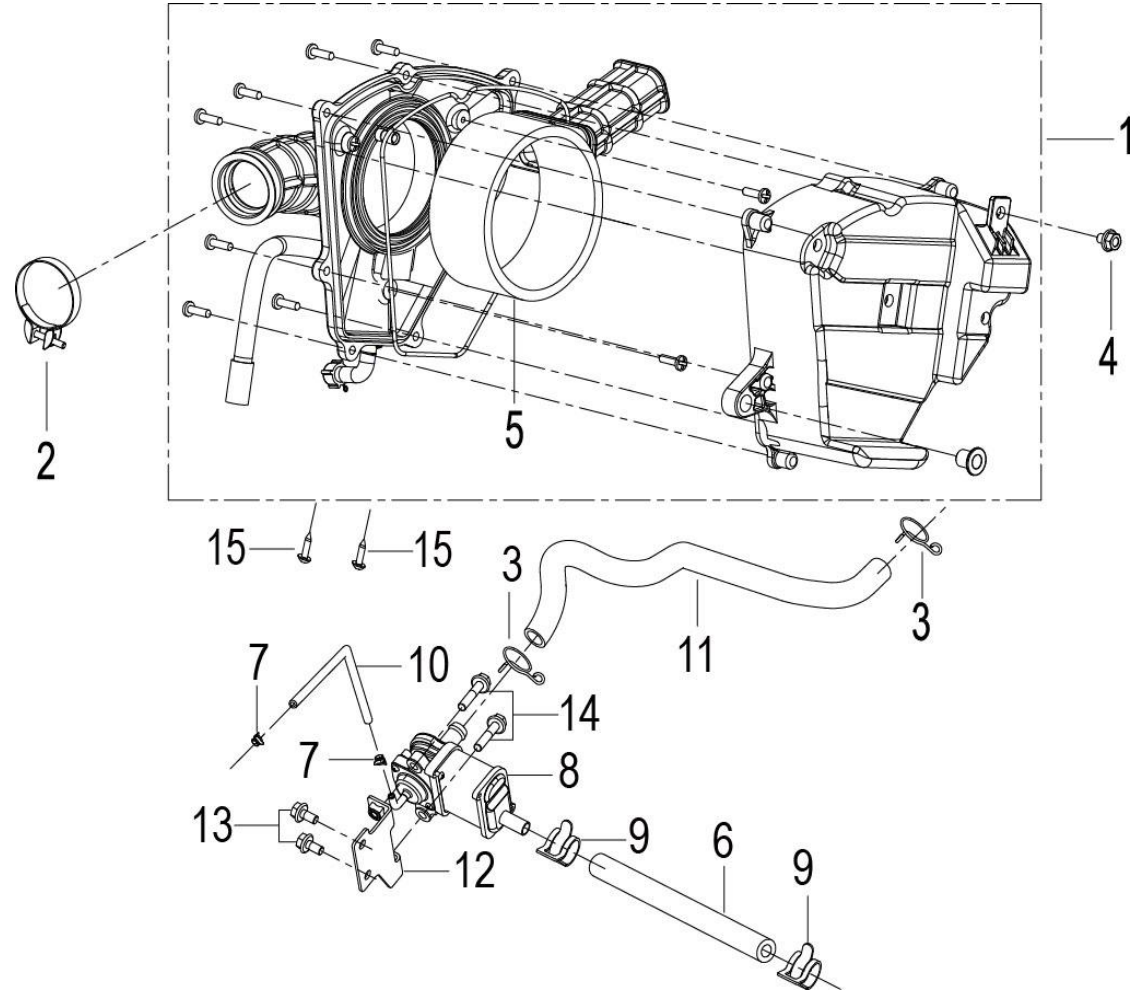
NO.	Position No.	CODE	CN DESCRIPTION	EN DESCRIPTION	Qty/Unit	NOTES
7	F04	B0109080256H	螺栓M8x25	BOLT M8x25	2	
8	F04	45022J000000	前液刹手柄	FRONT DISK BRAKE LEVER	1	
9	F04	45110J000000	摩擦片组件	BRAKE PAD ASSY	1set	
9A	F04	45110H380000	摩擦片组件	BRAKE PAD ASSY	1set	2022

F05 消声器 MUFFLER ASSY.



NO.	Position No.	CODE	CN DESCRIPTION	EN DESCRIPTION	Qty/Unit	NOTES
1	F05	47800J000000	排气管衬垫组件	EXHAUST PIPE GASKET ASSY	1	
2	F05	B0205080306K	内六角螺钉M8×30	SCREW M8×30	2	
3	F05	B0700000080A	弹簧垫圈φ8	SPRING WASHER 8	2	
4	F05	B0703000080A	垫圈φ8	WASHER 8	2	
5	F05	47100L07006Z	消声器组件 (无触媒)	MUFFLER ASSY,without catalyzer	1	without catalyzer
6	F05	B0109100206H	螺栓M10×20	BOLT M10×20	1	

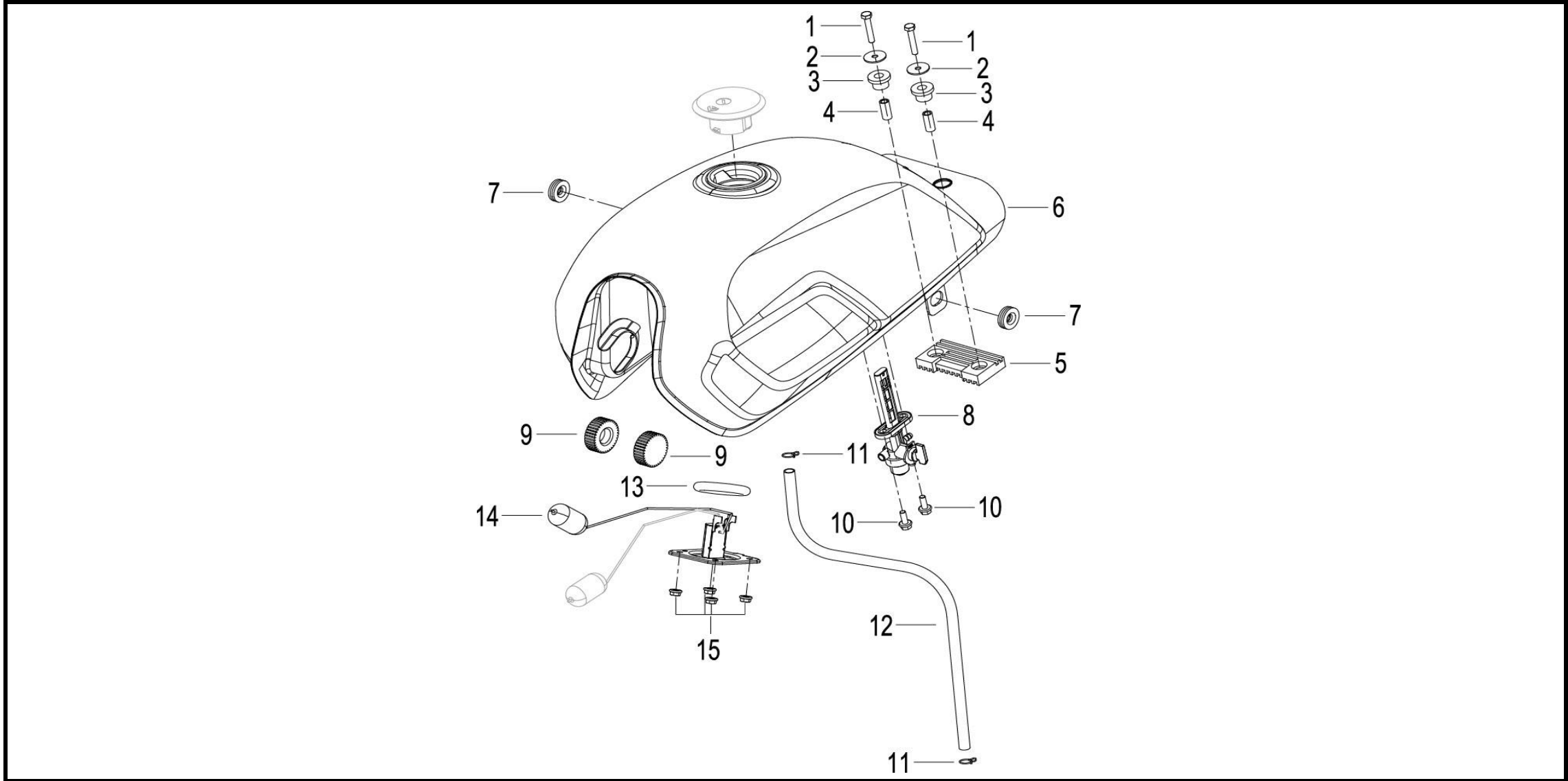
F06 空滤器 AIR CLEANER ASSY.



NO.	Position No.	CODE	CN DESCRIPTION	EN DESCRIPTION	Qty/Unit	NOTES
1	F06	49100J67000A	空滤器组件	AIR CLEANER ASSY	1	
2	F06	49350J000010	卡箍组件	CLIP ASSY	1	
3	F06	B17010150003	钢丝卡箍15	CLIP 15	2	
4	F06	B01090601665	螺栓M6×16	BOLT M6×16	1	
5	F06	49200J040000	滤芯组件(海绵)	FILTER,METERIAL:SPONGE	1	

NO.	Position No.	CODE	CN DESCRIPTION	EN DESCRIPTION	Qty/Unit	NOTES
6	F06	49802L070004	截止阀与发动机连接管	PIPE	1	
7	F06	49806J000000	油管卡箍Φ7×7×0.6	CLIP Φ7×7×0.6	2	
8	F06	49810J560004	组合阀组件	VALVE BODY ASSY.	1	
9	F06	49855J000000	耐热管卡箍Φ16.5×10×1	CLIP Φ16.5×10×1	2	
10	F06	B16010B23701	油管3.5×7.5×370	PIPE 3.5×7.5×370	1	
11	F06	B16011123901	油管11×15×390	PIPE 11×15×390	1	
12	F06	57050J830000	单向阀安装座	MOUNTING SEAT, VALVE BODY	1	
13	F06	B0109060126H	螺栓M6×12	BOLT M6X12	2	
14	F06	B01090602065	螺栓M6×20	BOLT M6x20	2	
15	F06	B0507420160H	自攻螺钉ST4.2×16	SCREW ST4.2x16	2	

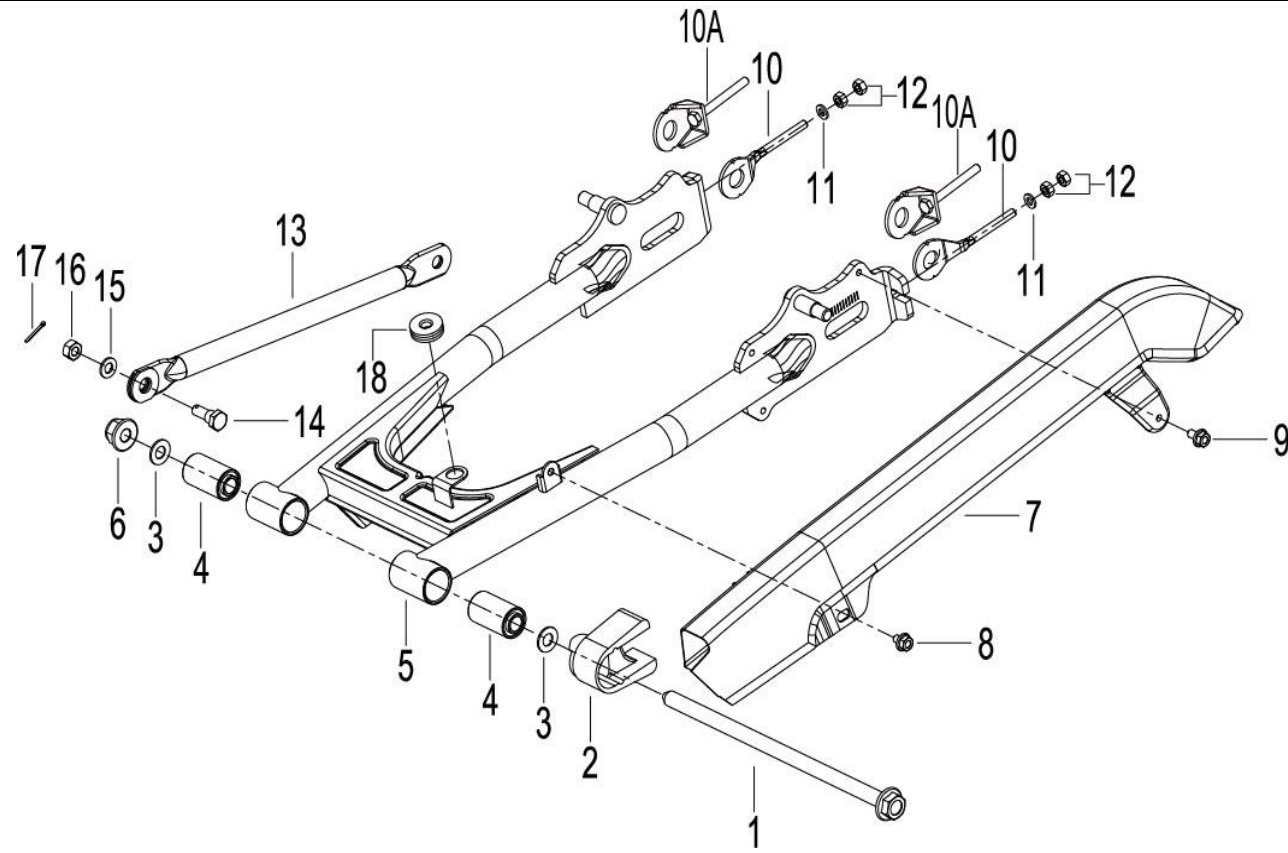
F07 油箱 FUEL TANK ASSY.



NO.	Position No.	CODE	CN DESCRIPTION	EN DESCRIPTION	Qty/Unit	NOTES
1	F07	B0101060352H	螺栓M6×35	BOLT M6×35	2	
2	F07	08023J000020	油箱安装垫圈	MOUNTING WASHER	2	
3	F07	50222J000001	橡胶套	RUBBER SLEEVE	2	

NO.	Position No.	CODE	CN DESCRIPTION	EN DESCRIPTION	Qty/Unit	NOTES
4	F07	50221J000001	油箱安装轴套	FUEL TANK SHAFT SLEEVE	2	
5	F07	50006G530000	油箱垫板	FUEL TANK CUSHION	1	
6	F07	50100G53066Z	油箱体组件(金城蓝L5)带keeway贴花	FUEL TANK ASSY,BLUE L5,WITH keeway STICKER	1	with keeway sticker
6	F07	50100G53069Z	油箱体组件(石墨黑BC)带keeway贴花	FUEL TANK ASSY,GRAPHITE BLACK BC,WITH keeway STICKER	1	with keeway sticker
6	F07	50100G53102Z	油箱体组件(艳红2#RB)带贴花	FUEL TANK ASSY,RED RB,with sticker	1	2022
6	F07	50100G53103Z	油箱体组件(军绿G9)带贴花	FUEL TANK ASSY,GREEN G9,with sticker	1	2022
6	F07	50100G53104Z	油箱体组件(哑光059N6)带贴花	FUEL TANK ASSY,BLACK N6,with sticker	1	2022
7	F07	50018G530000	橡胶套	RUBBER SLEEVE	2	
8	F07	50310J860000	油箱开关组件	FUEL TANK FUEL COCK	1	
9	F07	50005J820000	油箱缓冲垫	FUEL TANK MOUNTING PAD	2	
10	F07	B01090601665	螺栓M6×16	BOLT M6×16	2	
11	F07	B17010080003	钢丝卡箍8	CLIP 8	2	
12	F07	B16010C23601	油管4.5×8.5×360	OIL TUPE 4.5×8.5×360	1	
13	F07	50002K020000	传感器橡胶垫	RUBBER CUSHION	1	
14	F07	50800G530001	燃油传感器组件	FUEL SENSOR ASSY	1	
15	F07	B0407060005H	螺母M6	NUT M6	4	

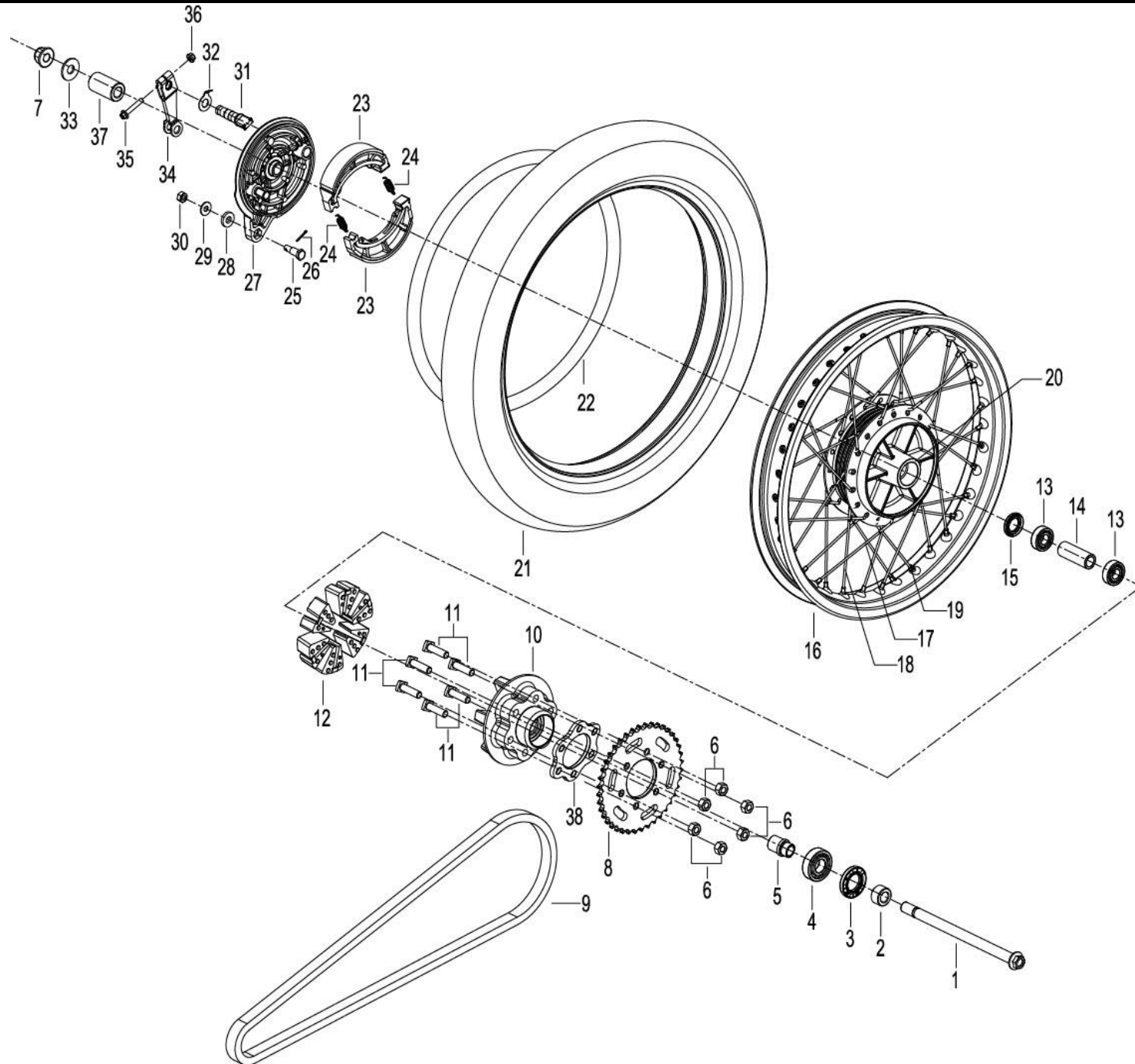
F08 后摆臂 REAR SWING ARM ASSY.



NO.	Position No.	CODE	CN DESCRIPTION	EN DESCRIPTION	Qty/Unit	NOTES
1	F08	53001J040100	后摆臂安装轴M12×264	BOLT M12×264	1	
2	F08	53004G130000	链条防触缓冲垫	CHAIN SHIELD BLOCK	1	
3	F08	08041J570100	后摆臂安装轴垫圈	WASHER	2	
4	F08	53200J040000	后摆臂轴套组件	REAR SWING ARM SHAFT SLEEVE	2	
5	F08	53100L070004	后摆臂焊接组件	REAR SWING ARM ASSY	1	
6	F08	B0417121254H	自锁螺母M12×1.25	SELF-LOCKING NUT M12×1.25	1	
7	F08	60100L070004	链罩焊接组件	CHAIN COVER ASSY	1	
8	F08	B0109060086H	螺栓M6×8	BOLT M6×8	1	

NO.	Position No.	CODE	CN DESCRIPTION	EN DESCRIPTION	Qty/Unit	NOTES
9	F08	B0109060126H	螺栓M6×12	BOLT M6×12	1	
10A	F08	53230L070000	链条调节器组件	CHAIN ADJUSTER	2	
11	F08	B0703000060H	垫圈6	WASHER 6	2	
12	F08	B0400060005H	螺母M6	NUT M6	4	
13	F08	53300L070004	联杆组件	LINK ROD	1	
14	F08	53011G120200	联杆固定螺栓	BOLT	1	
15	F08	54018J04003A	垫片	WASHER	1	
16	F08	B0400080005H	螺母M8	NUT M8	1	
17	F08	B090002018A5	开口销2×18	COTTER PIN 2×18	1	
18	F08	65618J000000	护板橡胶垫丙	RUBBER CUSHION	1	

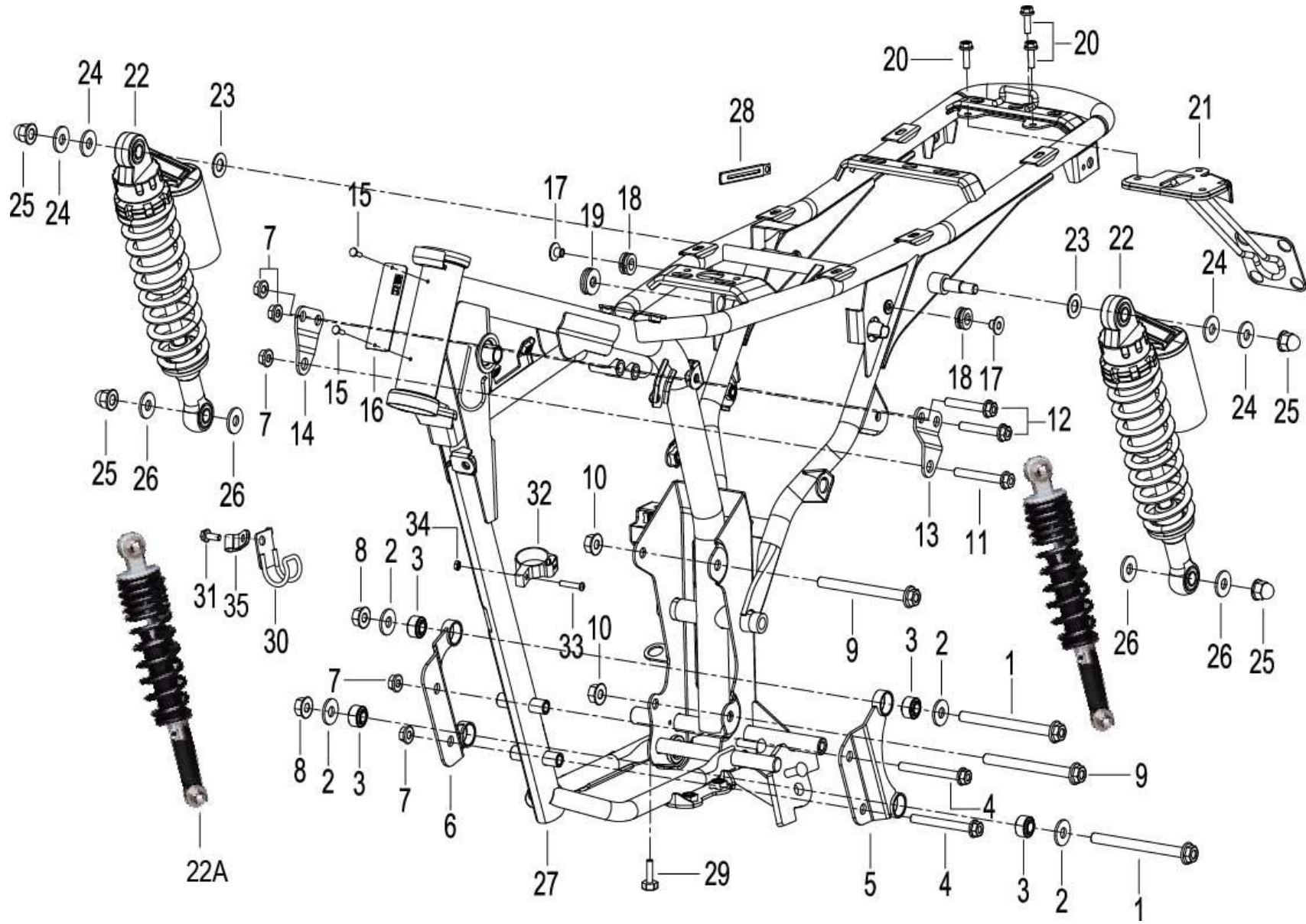
F09 后轮 REAR WHEEL ASSY.



NO.	Position No.	CODE	CN DESCRIPTION	EN DESCRIPTION	Qty/Unit	NOTES
1	F09	54004J000100	后轮轴	REAR WHEEL SHAFT	1	
2	F09	54016K670000	后轮左轴套	REAR WHEEL LEFT BUSH	1	
3	F09	60200J000001	防尘圈组件	OIL SEAL ASSY	1	
4	F09	B12016020400	滚动轴承6204-2RS	BEARING 6204-2RS	1	
5	F09	60006J000001	链传动轴套	CHAIN SHAFT SLEEVE	1	
6	F09	B0417101254H	螺母M10x1.25	NUT M10x1.25	6	
7	F09	B0417141504H	自锁螺母M14x1.5	SELF-LOCKING NUT M14x1.5	1	
8	F09	60002M030001	链轮40齿	REAR SPROCKET 40T	1	
9	F09	B1502W1110B0	链条428HG-1x110	CHAIN 428H-1x110	1	
10	F09	60001N210000	链轮毂	MOUNTING SEAT	1	
11	F09	60015M190000	链轮安装螺栓	BOLT M10x1.25x42	6	
12	F09	54024N210000	后轮缓冲块	REAR WHEEL CUSHION	6	
13	F09	B12016020200	滚动轴承6202-2RS	BEARING 6202-2RS	2	
14	F09	54006G530002	后轮中间轴套	REAR WHEEL SHAFT SLEEVE	1	
15	F09	54300G530000	油封组件	OIL SEAL ASSY	2	
16	F09	54101L07BG04	后轮圈(哑黑BG)	REAR RIM ASSY,MATTE BLACK BG	1	
16	F09	54101L07BH04	后轮圈(特黑BH)	REAR RIM ASSY,EXTRA BLACK BH	1	2022
17	F09	54011G530001	后轮外侧辐条	REAR WHEEL OUTER SIDE SPOKE	18	
18	F09	54012G530001	后轮内侧辐条	REAR WHEEL INNER SIDE SPOKE	18	
19	F09	44014G530001	辐条螺母	NUT	36	
20	F09	54500G530003	后轮毂组件	REAR WHEEL HUB ASSY	1	
21	F09	B141106E171Z	内外胎110-80-17	INNER TUBE&TYRE 110-80-17	1	
22	F09	44013D010002	内胎垫带	INNER TUBE STRIP	1	
23	F09	54200K200000	制动蹄块组件	BRAKE SHOE ASSY	2	
24	F09	52815B290000	前拉紧弹簧	BRAKE SHOE SPRING	2	
25	F09	54023J04010A	后轮毂盖螺栓	BOLT	1	

NO.	Position No.	CODE	CN DESCRIPTION	EN DESCRIPTION	Qty/Unit	NOTES
26	F09	B090002018A5	开口销2×18	COTTER PIN 2×18	1	
27	F09	54400G530000	后轮毂盖组件	REAR WHEEL HUB ASSY	1	
28	F09	54017J04000A	橡胶垫	RUBBER PAD	1	
29	F09	54018J04003A	垫片	WASHER	1	
30	F09	B0400080005H	螺母M8	NUT M8	1	
31	F09	54003G530000	后制动凸轮轴	REAR BRAKE CAMSHAFT	1	
32	F09	44002J040000	制动指示器	BRAKE INDICATOR	1	
33	F09	08021K670000	垫圈φ16×φ32×2	WASHER Φ16×Φ32×2	1	
34	F09	54007J000020	后制动摇臂	REAR BRAKE ARM	1	
35	F09	B0101060352H	螺栓M6×35	BOLT M6×35	1	
36	F09	B0407060005H	螺母M6	NUT M6	1	
37	F09	54005G530002	后轮右轴套	REAR WHEEL RIGHT BUSH	1	
38	F09	60014V020000	链轮毂安装垫片	WASHER	1	

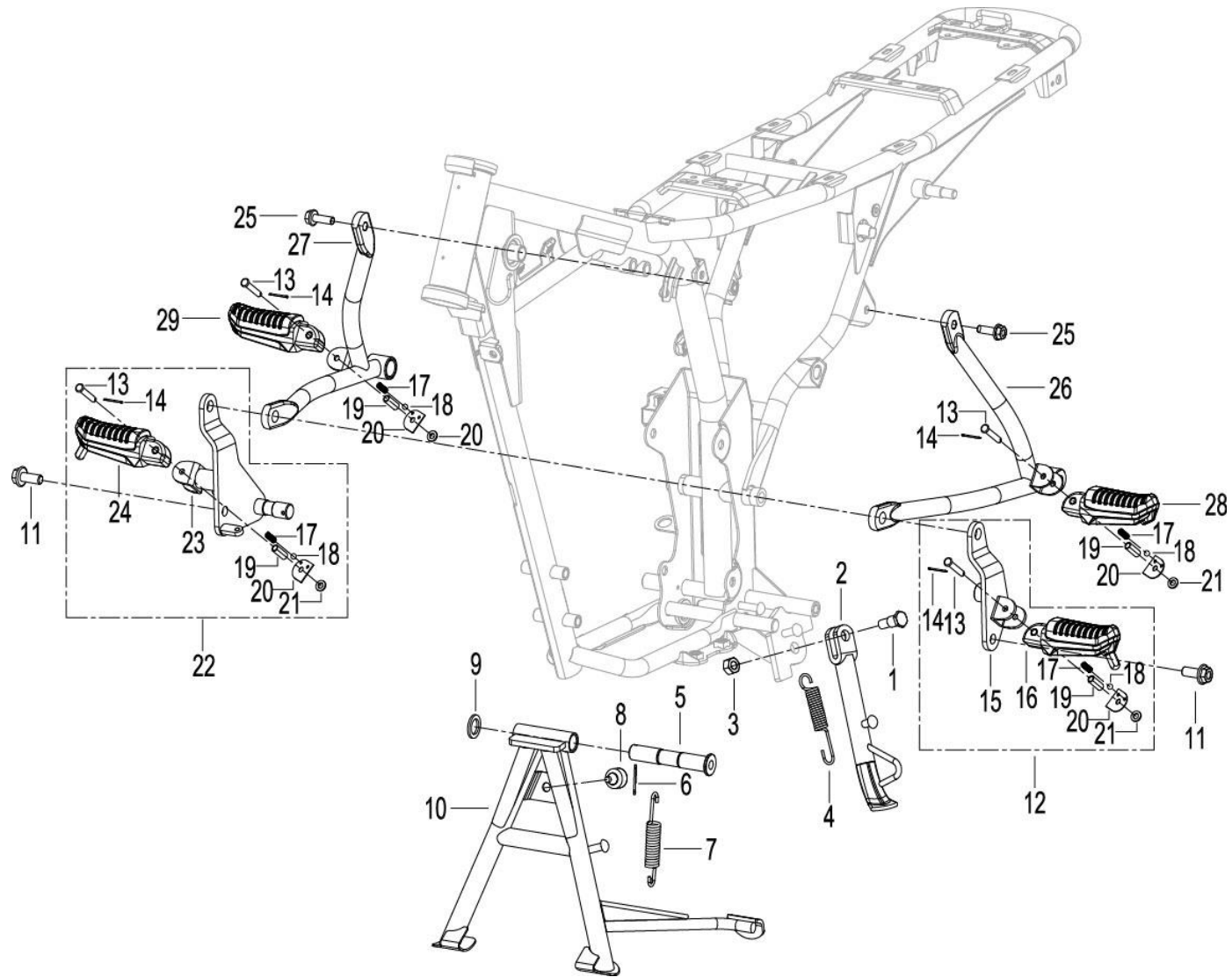
F10 车架 FRAME BODY ASSY.



NO.	Position No.	CODE	CN DESCRIPTION	EN DESCRIPTION	Qty/Unit	NOTES
1	F10	B0159101156H	螺栓M10×1.25×115	BOLT M10×1.25×115	2	
2	F10	63013J000010	后减震器安装垫片φ10.5×φ26×2.5	WASHER φ10.5×φ26×2.5	4	
3	F10	47039B020000	消音器大衬套	BUSH	4	
4	F10	B0109080756H	螺栓M8×75	BOLT M8×75	2	
5	F10	57030L070001	发动机左前挂板组件	LEFT FRONT ENGINE HANG PLATE	1	
6	F10	57020L070001	发动机右前挂板组件	RIGHT FRONT ENGINE HANG PLATE	1	
7	F10	B0407080005H	螺母M8	SELF-LOCKING NUT M8	5	
8	F10	B0418101255H	螺母M10×1.25	SELF-LOCKING NUT M10×1.25	2	
9	F10	B0159101106H	螺栓M10×1.25×110	BOLT M10×1.25×110	2	
10	F10	B0418101255H	螺母M10×1.25	SELF-LOCKING NUT M10×1.25	2	
11	F10	B0109080606H	螺栓M8×60	BOLT M8×60	1	
12	F10	B0109080506H	螺栓M8×50	BOLT M8×50	2	
13	F10	57009L070001	发动机左上挂板	LEFT UPPER ENGINE HANG PLATE	1	
14	F10	57008L070001	发动机右上挂板	RIGHT UPPER ENGINE HANG PLATE	1	
15	F10	B10000300600	标牌铆钉3×6	RIVET 3×6	2	
15	F10	B100432007P0	抽芯铆钉3.2×7	RIVET 3.2×7	2	
16	F10	57001M03000A	车架标牌	FRAME LABEL	1	
17	F10	270975050000	衬套	BUSH	2	
18	F10	65713J410000	橡胶垫	RUBBER PAD	2	
19	F10	65618H070000	护板橡胶垫圈	RUBBER PAD	1	
20	F10	B01090602065	螺栓M6×18	BOLT M6×18	3	
21	F10	65770L070004	后泥板支架焊接组件	REAR FENDER BRACKET ASSY	1	
22	F10	63800L070004	后减震器组件	REAR SHOCK ABSORBER ASSY	2	
22A	F10	63800L070005	后减震器组件(无气囊)	REAR SHOCK ABSORBER ASSY,WITHOUT GAS RESERVOIR	2	2022

NO.	Position No.	CODE	CN DESCRIPTION	EN DESCRIPTION	Qty/Unit	NOTES
23	F10	08024J000030	垫圈φ12.5×φ24×1.5	WASHER φ12.5×φ24×1.5	2	
24	F10	63013J000010	后减震器安装垫片φ10.5×φ26×2.5	WASHER φ10.5×φ26×2.5	4	
25	F10	08052J000000	盖形螺母M10×1.25	CAP NUT M10×1.25	4	
26	F10	08021K020010	垫圈	WASHER	4	
27	F10	57100L070004	车架焊接组件	FRAME ASSY	1	
28	F10	58430J000000	线夹组件	CLIP	1	
29	F10	40780J860100	刹车踏板限位螺栓组件	BOLT	1	
30	F10	58430L070004	电缆线夹组件	WIRE CLIP	1	
31	F10	B0109060126H	螺栓M6×12	BOLT M6×12	1	
32	F10	57013J000000	线夹	CLIP	1	
33	F10	B0200050252H	螺钉M5×25	SCREW M5×25	1	
33	F10	B0200050202H	螺钉M5×20	SCREW M5×20	1	
34	F10	B0400050005H	螺母M5	NUT M5	1	
35	F10	43070J670010	离合器线线夹组件	CLIP,CLUTCH CABLE	1	

F11 中撑/单撑 MAIN STAND&SIDE STAND ASSY./踏蹬 FOOTREST ASSY.

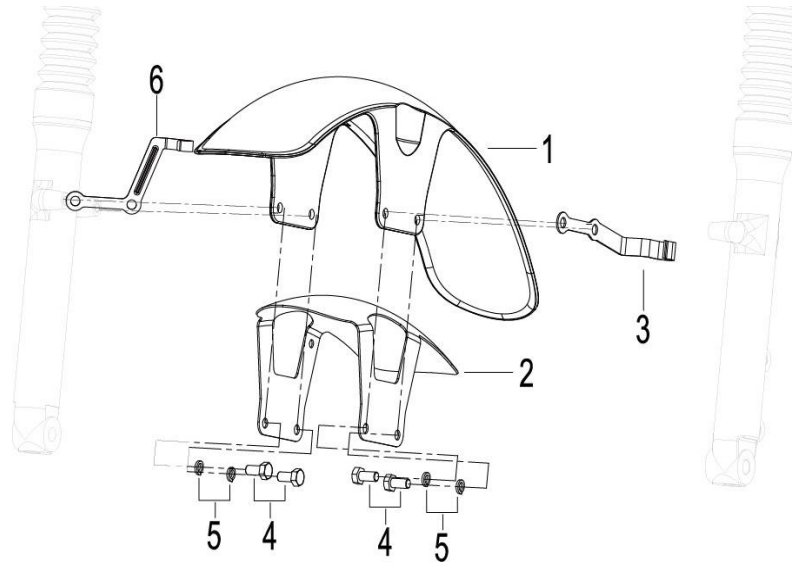


NO.	Position No.	CODE	CN DESCRIPTION	EN DESCRIPTION	Qty/Unit	NOTES
1	F11	57005J000202	单撑固定螺栓	SIDE STAND MOUNTING BOLT	1	
2	F11	58700L070004	单撑焊接组件	SIDE STAND ASSY	1	
3	F11	B04011012555	螺母M10x1.25	NUT M10x1.25	1	

NO.	Position No.	CODE	CN DESCRIPTION	EN DESCRIPTION	Qty/Unit	NOTES
4	F11	57003J040010	单撑拉簧	SIDE STAND SPRING	1	
5	F11	58501G530000	中撑轴	MAIN STAND AXLE	1	
6	F11	B090003025AH	开口销3×25	COTTER PIN 3×25	1	
7	F11	58502L070100	中撑拉簧	MAIN STAND SPRING	1	
8	F11	54035T020000	限位块	BUFFER BLOCK,MAIN STAND	1	
9	F11	08025J000000	垫圈	WASHER Φ17.5×Φ26×2.5	1	
10	F11	58520L070000	中撑焊接组件	MAIN STAND ASSY	1	
11	F11	B0159100206H	螺栓M10×1.25×20	BOLT M10×1.25×20	2	
12	F11	58200L070004	左踏蹬支架组件	LEFT FRONT FOOTREST MOUNTING BRACKET	1	
13	F11	B090408035BA	销轴6×35	PIVOT 8×35	4	
14	F11	B090003025AA	开口销3×25	COTTER PIN 3×25	4	
14	F11	B0900120251A	开口销1.2×25	COTTER PIN 1.2×25	4	
15	F11	58230L070004	左前脚蹬安装座	LEFT FOOTREST MOUNTING BRACKET	1	sub part of 58200L070004
16	F11	58220K67000Z	左前踏蹬组件	LEFT FRONT PEDAL ASSEMBLY	1	sub part of 58200L070004
17	F11	58222J040001	限位弹簧	SPRING	4	
18	F11	B06010190000	钢球6	STEEL BALL 6	4	
19	F11	58224J040001	衬套	BUSH	4	
20	F11	58229J300000	踏蹬限位板	FOOTREST BRACKET PLATE	4	
21	F11	B0703000060A	垫圈6	WASHER 6	4	
22	F11	58400L070004	右踏蹬支架组件	RIGHT FRONT FOOTREST BRACKET	1	
23	F11	58250L070004	右前脚蹬安装座	RIGHT FOOTREST MOUNTING BRACKET	1	sub part of 58400L070004
24	F11	58240K67000Z	右前脚蹬	FRONT RIGHT FOOTREST ASSY	1	
25	F11	B0109080256H	螺栓M8×25	BOLT M8×25	2	
26	F11	58450L070004	左后脚蹬安装支架组件	LEFT REAR FOOTREST MOUNTING BRACKET	1	
27	F11	58470L070004	右后脚蹬安装支架组件	RIGHT REAR FOOTREST MOUNTING BRACKET	1	

NO.	Position No.	CODE	CN DESCRIPTION	EN DESCRIPTION	Qty/Unit	NOTES
28	F11	58260K67000Z	左后踏蹬组件	LEFT REAR FOOTREST ASSY	1	
29	F11	58280K67000Z	右后踏蹬组件	RIGHT REAR FOOTREST ASSY	1	

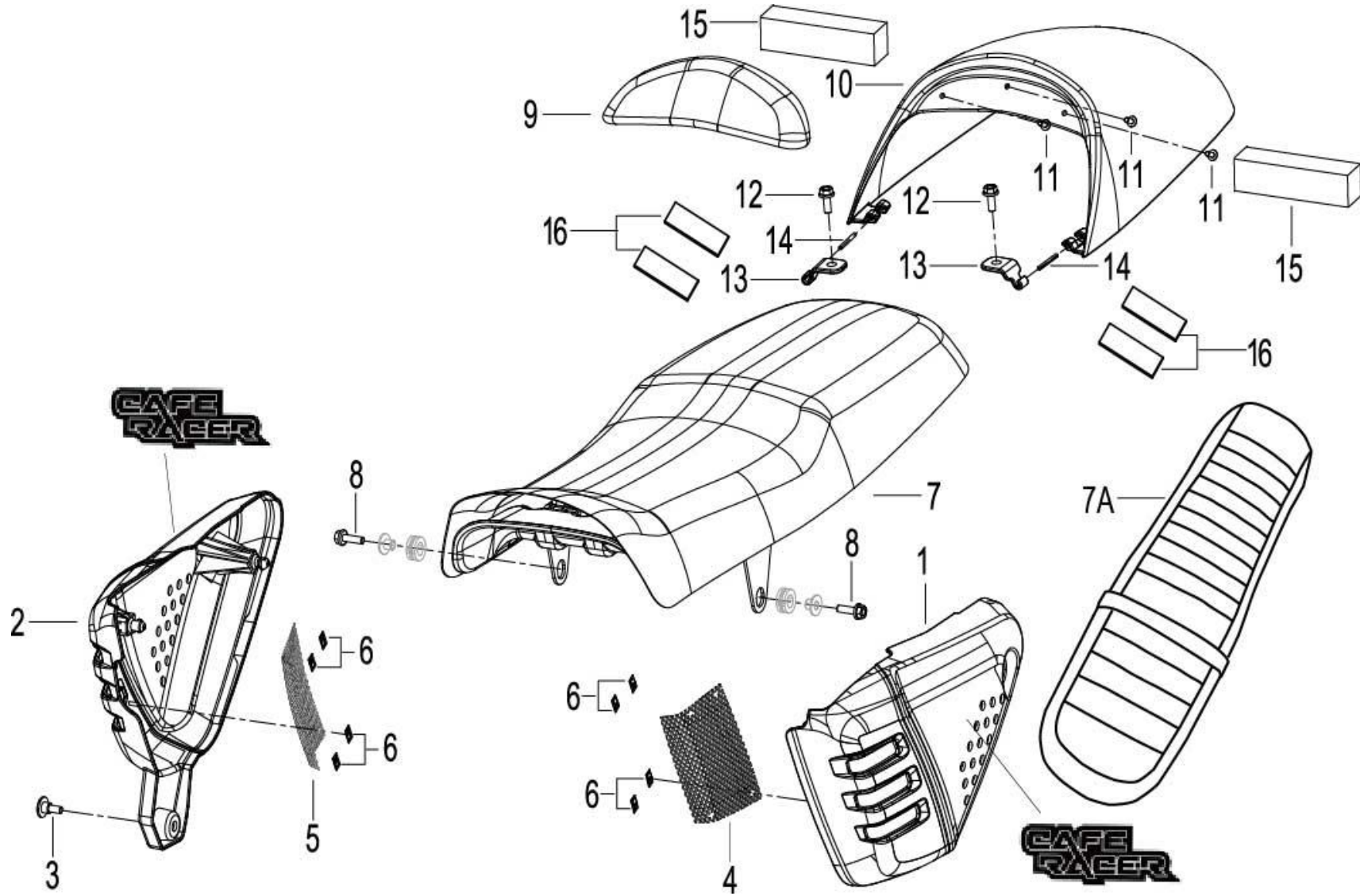
F12 前泥板 FRONT FENDER ASSY.



NO.	Position No.	CODE	CN DESCRIPTION	EN DESCRIPTION	Qty/Unit	NOTES
1	F12	65101L07L500	前挡泥板(金城蓝L5)	FRONT FENDER,BLUE L5,WITHOUT STICKER	1	
1	F12	65101L07BC00	前挡泥板(石墨黑BC)	FRONT FENDER,GRAPHITE BLACK BC,WITHOUT STICKER	1	
1	F12	65101L07001Z	前挡泥板(金城蓝L5)带贴花	FRONT FENDER,BLUE L5,WITH STICKER	1	
1	F12	65101L07004Z	前挡泥板(石墨黑BC)带贴花	FRONT FENDER,GRAPHITE BLACK BC,WITH STICKER	1	
1	F12	65101L07020Z	前挡泥板(艳红2#RB)带贴花	FRONT FENDER,RED RB,WITH STICKER	1	
1	F12	65101L07021Z	前挡泥板(军绿G9)带贴花	FRONT FENDER,GREEN G9,WITH STICKER	1	
1	F12	65101L07022Z	前挡泥板(/哑光059N6)带贴花	FRONT FENDER,BLACK N6,WITH STICKER	1	
2	F12	65121L070004	前挡泥板内加强板	FRONT FENDER MOUNTING BRACKET	1	
3	F12	65112J000000	液刹管下夹	DISC BRAKE CLIP	1	
4	F12	B0102080206H	螺栓M8x20	BOLT M8x20	4	

NO.	Position No.	CODE	CN DESCRIPTION	EN DESCRIPTION	Qty/Unit	NOTES
5	F12	B0700000080H	弹簧垫圈φ8	SPRING WASHER 8	4	
6	F12	43021L070004	里程表线线夹	SPEEDOMETER CLIP	1	

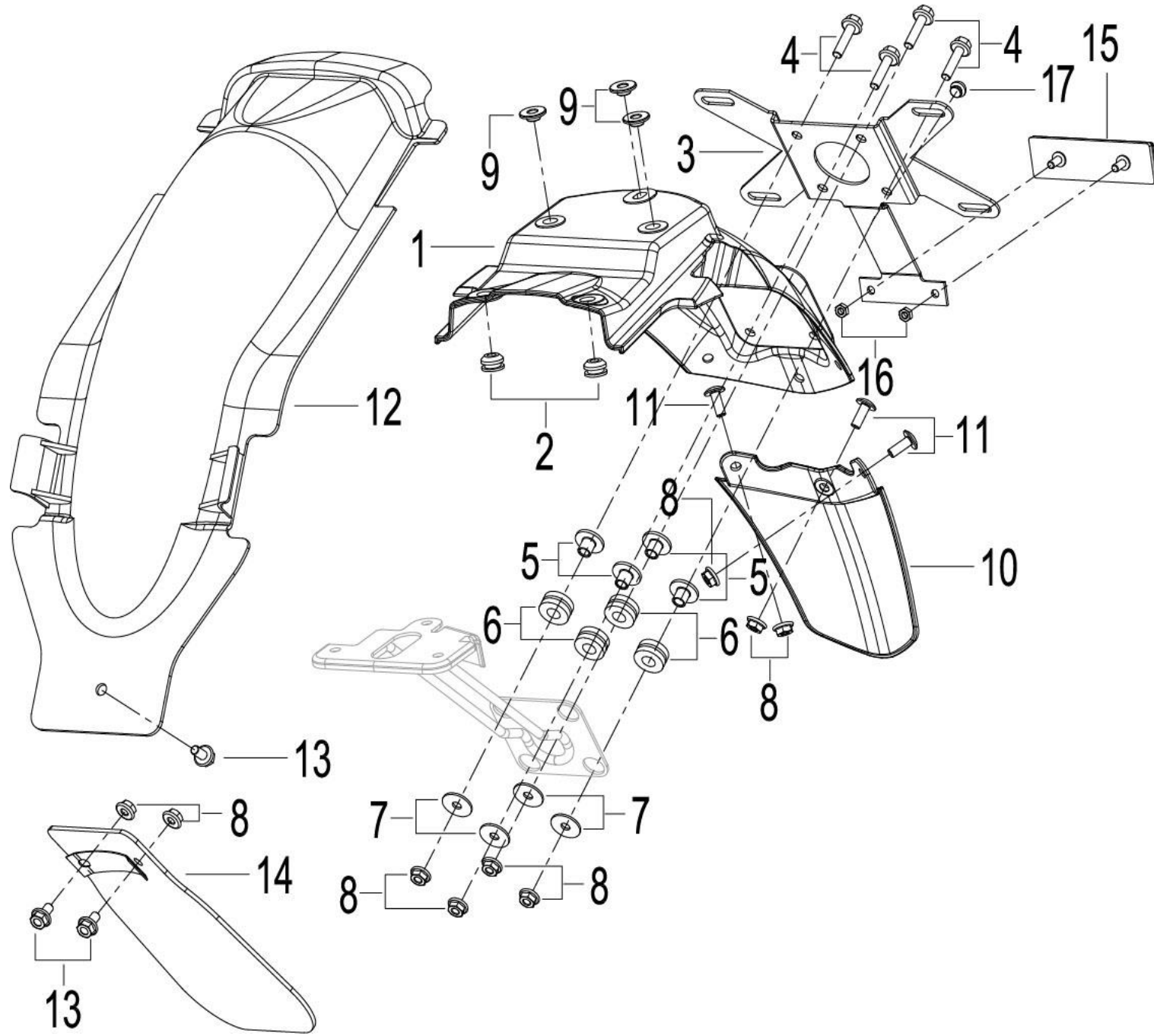
F13 护板 SIDE COVER ASSY.



NO.	Position No.	CODE	CN DESCRIPTION	EN DESCRIPTION	Qty/Unit	NOTES
1	F13	65601L070014	左护板(金城蓝L5/平光银黑BA)	LEFT GUARD PLATE,BLUE/MATTE BLACK L5/BA,WITHOUT STICKER	1	without sticker
1	F13	65601L070044	左护板(石墨黑BC/平光银黑BA)	LEFT GUARD PLATE,GRAPHITE BLACK/MATTE BLACK BC/BA,W/O STICKER	1	without sticker
1	F13	65601L07001Z	左护板(金城蓝L5/平光银黑BA)带CAFERACER贴花	LEFT GUARD PLATE,BLUE/MATTE BLACK L5/BA,WITH CAFERACER STICKER	1	with cafferacer sticker
1	F13	65601L07004Z	左护板(石墨黑BC/平光银黑BA)带CAFERACER贴花	LEFT GUARD PLATE,GRAPHITE BLACK/MATTE BLACK BC/BA,WITH CAFERACER STICKER	1	with cafferacer sticker
1	F13	65601L07024Z	左护板(艳红2#RB/哑光059N6)带贴花	LEFT GUARD PLATE,RED/BLACK RB/N6,WITH STICKER	1	2022
1	F13	65601L07025Z	左护板(军绿G9/哑光059N6)带贴花	LEFT GUARD PLATE,GREEN/BLACK G9/N6,WITH STICKER	1	2022
1	F13	65601L07026Z	左护板(哑光059N6/哑光059N6)带贴花	LEFT GUARD PLATE,BLACK N6,WITH STICKER	1	2022
2	F13	65602L070014	右护板(金城蓝L5/平光银黑BA)	RIGHT GUARD PLATE,BLUE/MATTE BLACK L5/BA,WITHOUT STICKER	1	without sticker
2	F13	65602L070044	右护板(石墨黑BC/平光银黑BA)	RIGHT GUARD PLATE,GRAPHITE BLACK/MATTE BLACK BC/BA,WITHOUT STICKER	1	without sticker
2	F13	65602L07001Z	右护板(金城蓝L5/平光银黑BA)带CAFERACER贴花	RIGHT GUARD PLATE,BLUE/MATTE BLACK L5/BA,WITH CAFERACER STICKER	1	with cafferacer sticker
2	F13	65602L07004Z	右护板(石墨黑BC/平光银黑BA)带CAFERACER贴花	RIGHT GUARD PLATE,GRAPHITE BLACK/MATTE BLACK BC/BA,WITH CAFERACER STICKER	1	with cafferacer sticker
2	F13	65602L07024Z	右护板(艳红2#RB/哑光059N6)带贴花	RIGHT GUARD PLATE,RED/BLACK RB/N6,WITH STICKER	1	2022
2	F13	65602L07025Z	右护板(军绿G9/哑光059N6)带贴花	RIGHT GUARD PLATE,GREEN/BLACK G9/N6,WITH STICKER	1	2022
2	F13	65602L07026Z	右护板(哑光059N6/哑光059N6)带贴花	RIGHT GUARD PLATE,BLACK N6,WITH STICKER	1	2022
3	F13	08001J800000	护板螺钉	SCREW	1	
4	F13	65621L070004	左护板装饰网	LEFT DECORATIVE MESH	1	
5	F13	65622L070004	右护板装饰网	RIGHT DECORATIVE MESH	1	
6	F13	65311B910020	卡片	INSERT	8	
7	F13	51100L070004	座垫组件	SEAT ASSY	1	
7A	F13	51100L070025	座垫组件(黑色)	SEAT ASSY,BLACK	1	2022
7A	F13	51100L070015	座垫组件(棕色)	SEAT ASSY,BROWN	1	2022

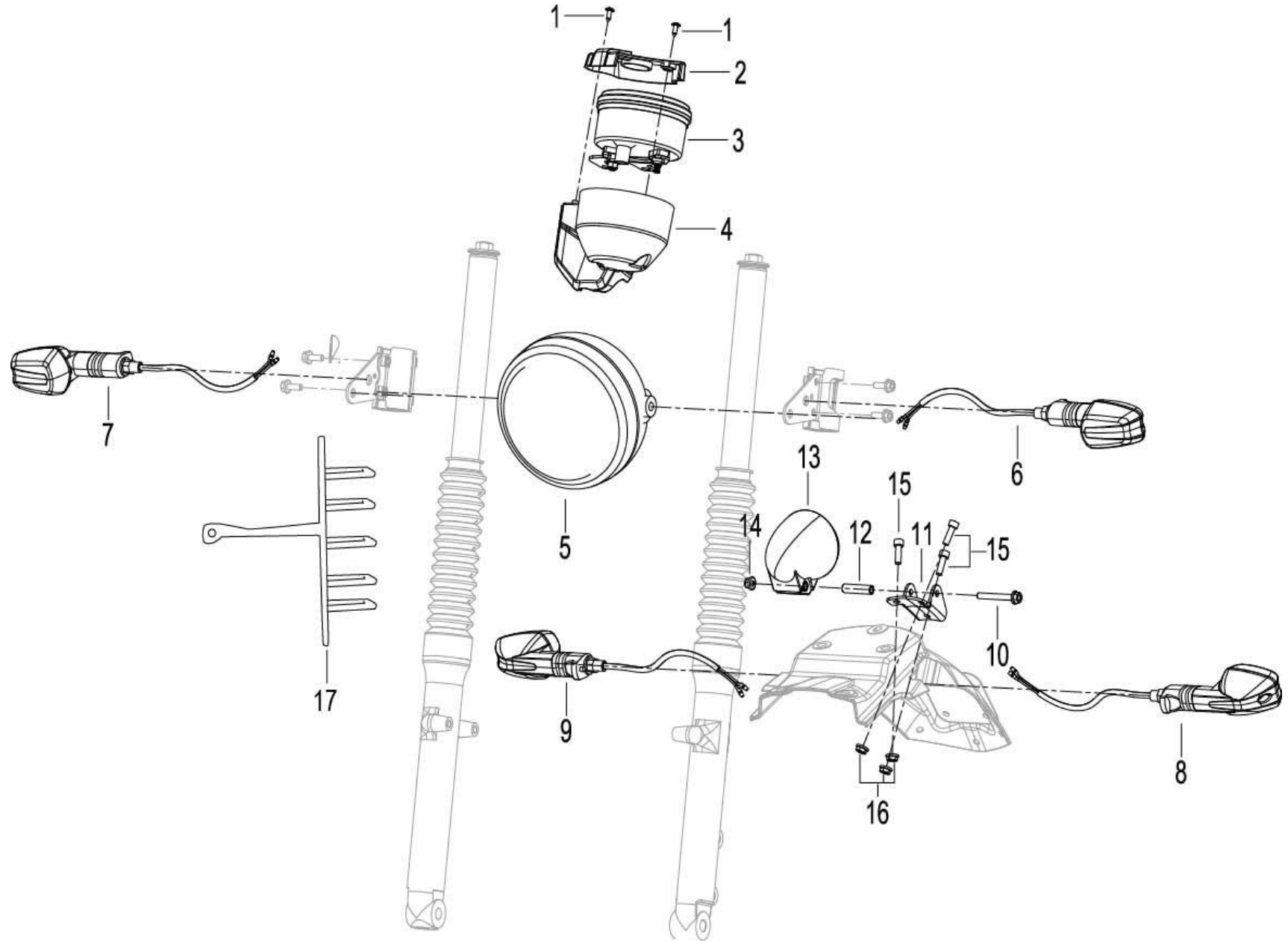
NO.	Position No.	CODE	CN DESCRIPTION	EN DESCRIPTION	Qty/Unit	NOTES
8	F13	B01090602065	螺栓M6x20	BOLT M6x20	2	
9	F13	51300L070004	座垫靠背组件	SEAT BACKREST	1	
10	F13	65608L07BC04	座垫装饰罩(石墨黑BC)	SEAT DECORATIVE COVER,GRAPHITE BLACK BC,WITHOUT STICKER	1	without sticker
10	F13	65608L07001Z	座垫装饰罩(金城蓝L5)带贴花	SEAT DECORATIVE COVER,BLUE L5,WITH STICKER	1	with sticker
10	F13	65608L07004Z	座垫装饰罩(石墨黑BC)带贴花	SEAT DECORATIVE COVER,GRAPHITE BLACK BC,WITH STICKER	1	with sticker
11	F13	B0507480130H	自攻螺钉ST4.8x13	SELF-TAPPING SCREW ST4.8x13	3	
12	F13	08011H010200	凸台螺栓	BOLT	2	
13	F13	65609L070004	左连接板	LEFT BRACKET	2	
14	F13	B091503032A6	弹性圆柱销3x32	PIN 3x32	2	
15	F13	65509J000000	海绵缓冲垫	SPONGE CUSHION	2	
16	F13	58752P250000	蓄电池海绵垫	SPONGE CUSHION	4	

F14 后挡泥板 REAR FENDER ASSY.



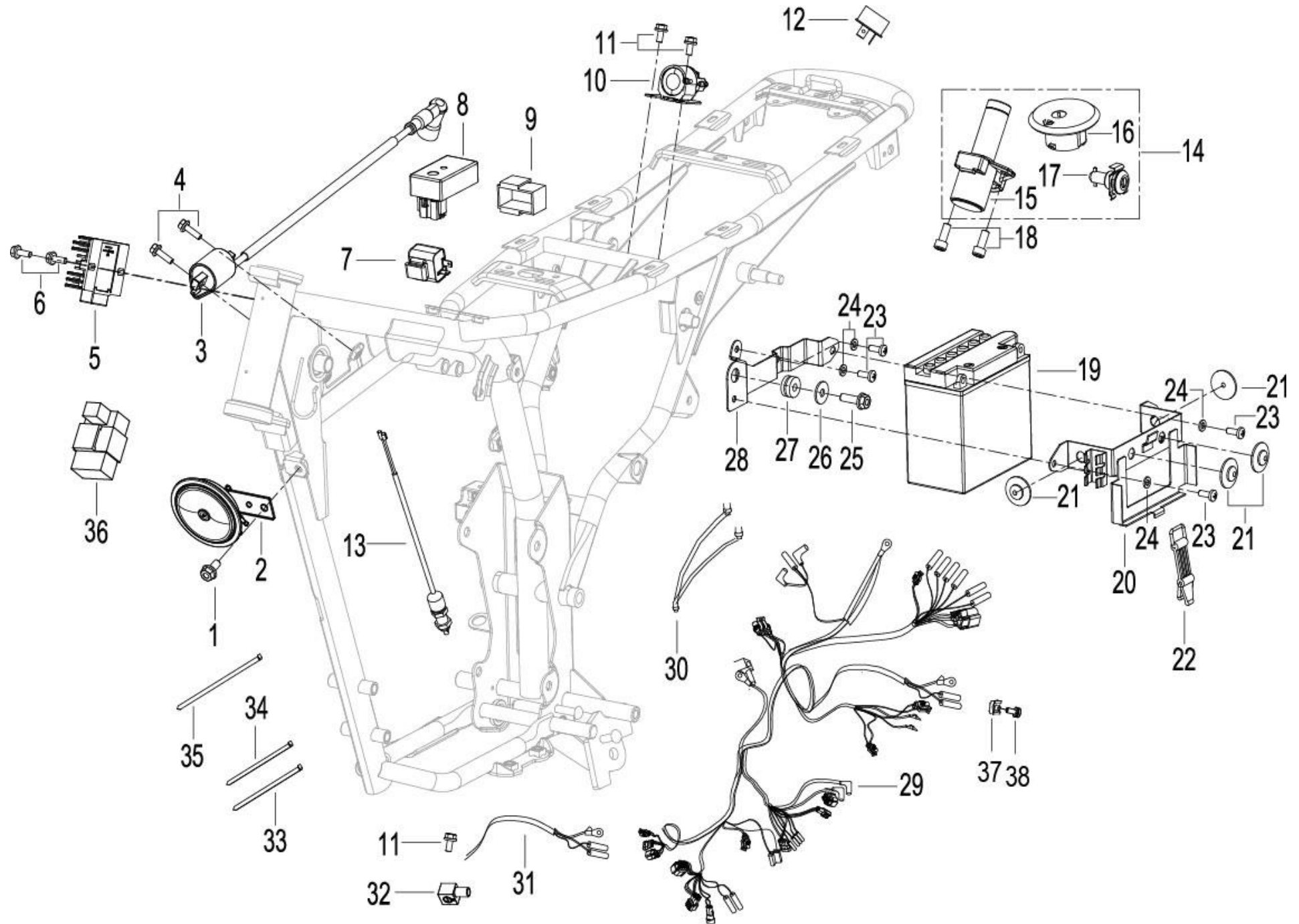
NO.	Position No.	CODE	CN DESCRIPTION	EN DESCRIPTION	Qty/Unit	NOTES
1	F14	65701L070004	后挡泥板	REAR FENDER	1	
2	F14	65116J300000	橡胶堵头	RUBBER PLUG	2	
3	F14	08252L070004	后牌照支架	LICENSE BRACKET	1	
4	F14	B0109060256H	螺栓M6×25	BOLT M6×25	4	
5	F14	65517J900001	大灯衬套	HEADLIGHT BRACKET BUSH	4	
5	F14	65517J900101	大灯衬套	HEADLIGHT BRACKET BUSH	4	2022
6	F14	82011J210000	尾灯固定橡胶垫	RUBBER GASKET	4	
7	F14	08021H070000	垫圈	CIRCLIP	4	
8	F14	B0407060005H	螺母M6	NUT M6	9	
9	F14	08305B400000	衬套	BUSH	3	
10	F14	65702L070000	后挡泥板襟翼	REAR FENDER TAIL PART	1	
11	F14	B0206060122H	螺钉M6×12	SCREW M6×12	3	
12	F14	65731G530003	后挡泥板前部	REAR FENDER FRONT PART	1	
13	F14	B0109060126H	螺栓M6×12	BOLT M6×12	3	
14	F14	65732G530000	后挡泥板前部导泥板	REAR FENDER RUBBER	1	
15	F14	86500B720001	后反射体组件	REAR REFLECTOR ASSY	1	
16	F14	B0407050005H	螺母M5	NUT M5	2	
17	F14	51103V030000	座垫缓冲橡胶圈	RUBBER CUSHION	1	

F15 仪表 SPEEDOMETER ASSY./灯具 LIGHT ASSY.



NO.	Position No.	CODE	CN DESCRIPTION	EN DESCRIPTION	Qty/Unit	NOTES
1	F15	B0507420130H	自攻螺钉ST4.2×13	SELF-TAPPING SCREW ST4.2×13	2	
2	F15	70001L070004	仪表上盖	SPEEDOMETER UPPER COVER	1	
3	F15	70000L070004	仪表总成	SPEEDOMETER ASSY	1	
4	F15	70123L070004	仪表下盖	SPEEDOMETER UNDER COVER	1	
5	F15	80000L070004	前照灯	HEAD LIGHT	1	
6	F15	81100D010000	前左转向灯	FRONT LEFT TURN SIGNAL	1	
7	F15	81300D010000	前右转向灯	FRONT RIGHT TURN SIGNAL	1	
8	F15	81500D010002	后左转向灯	REAR LEFT TURN SIGNAL	1	
9	F15	81700D010002	后右转向灯	REAR RIGHT TURN SIGNAL	1	
10	F15	B0109060456H	螺栓M6×45	BOLT M6×45	1	
11	F15	08301L070004	尾灯支架	TAIL LIGHT BRACKET	1	
12	F15	82023L070000	尾灯隔套φ12×2×25	TAIL LIGHT SPACER φ12×2×25	1	
13	F15	82000L070004	尾灯	TAIL LIGHT	1	
14	F15	B0417060004H	螺母M6	NUT M6	1	
15	F15	B0205060206H	螺钉M6×20	SCREW M6×20	3	
16	F15	B0407060005H	螺母M6	NUT M6	3	
17	F15	65242L070000	大灯装饰罩	DECORATIVE COVER	1	2022

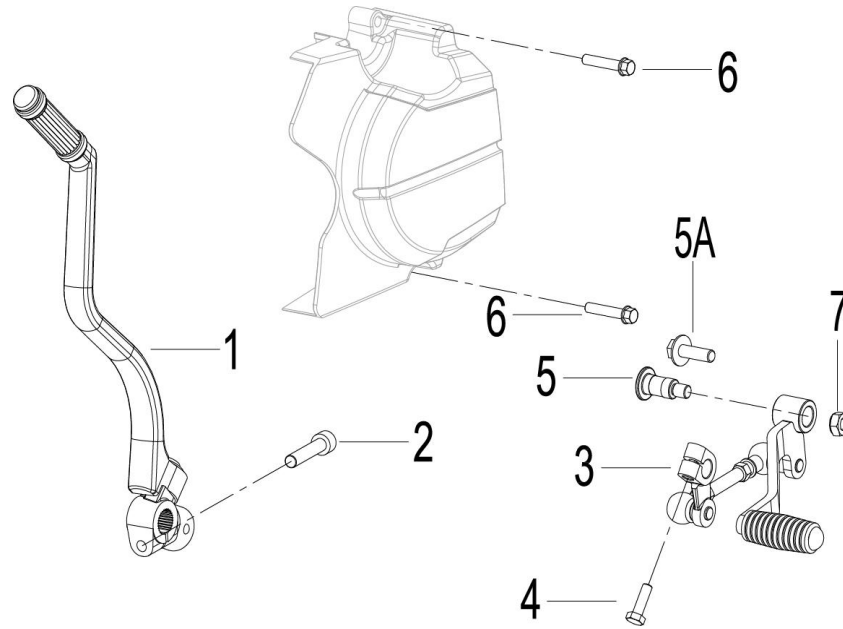
F16 电器 ELECTRICAL EQUIPMENT ASSY.



NO.	Position No.	CODE	CN DESCRIPTION	EN DESCRIPTION	Qty/Unit	NOTES
1	F16	B0109080166H	螺栓M8x16	BOLT M8x16	1	
2	F16	95100K670001	喇叭	HORN	1	
3	F16	96200G530000	高压包	IGNITION COIL	1	
4	F16	B01090602065	螺栓M6x20	BOLT M6x20	2	
5	F16	299063070020	整流器	RECTIFIER	1	
6	F16	B01090601665	螺栓M6x16	BOLT M6x16	2	
7	F16	96400K010001	变频闪光器	FLASHER	1	
8	F16	299053070070	电子点火器	IGNITOR	1	
9	F16	96007B720000	点火器套	IGNITION BAG	1	
10	F16	94100J000002	启动继电器	STARTER RELAY	1	
11	F16	B0109060126H	螺栓M6x12	BOLT M6x12	3	
12	F16	96700K060000	启动二极管	START DIODE	1	
13	F16	91030K760000	后刹车开关	REAR BRAKE SWITCH	1	
14	F16	88000G530005	套锁	LOCKS ASSY	1	
15	F16	88100J040000	电源锁组件	POWER LOCK	1	
16	F16	88400J020000	油箱锁	FUEL TANK LOCK	1	
17	F16	88500J040000	护板锁	GUARD BOARD LOCK	1	
18	F16	B0205080206H	内六角螺钉M8x20	SCREW M8x20	2	
19	F16	96010J000011	蓄电池12N7-3B	BATTERY 12N7-3B	1	
20	F16	58050G530000	电瓶安装架组件	MOUNTING BRACKET ASSY	1	
21	F16	58821J040001	橡胶护圈	RUBBER RING	4	
22	F16	96020G530000	工具包绑带	BELT	1	
23	F16	B0200060162H	螺钉M6x16	SCREW M6x16	4	
24	F16	B0703000060H	垫圈6	WASHER 6	4	
25	F16	B0109080256H	螺栓M8x25	BOLT M8x25	1	
25	F16	B0109080206H	螺栓M8x20	BOLT M8x20	1	

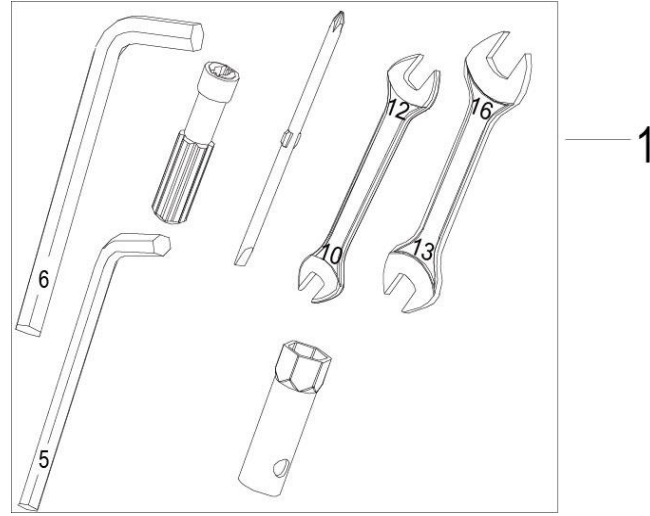
NO.	Position No.	CODE	CN DESCRIPTION	EN DESCRIPTION	Qty/Unit	NOTES
26	F16	B07020000805	垫圈8	WASHER 8	1	
27	F16	49022J040000	安装垫圈	RUBBER WASHER	1	
28	F16	57404J040001	空滤器安装板	AIRE CLEANER MOUNTING PLATE	1	
29	F16	92000L070007	电缆总成(大灯常亮)	WIRE HARNESS ASSY,AHO	1	for automatic headlight on
30	F16	92200K980000	电源线	POWER CABLE	1	
31	F16	92500J570000	搭铁线	EARTH WIRE	1	
32	F16	94118B910000	搭铁线护套	EARTH WIRE JACKET	1	
33	F16	96001J000000	绑带150mm	BAND 150MM	5	
34	F16	40098B450000	绑扎带	BAND	1	
35	F16	96003J000000	绑带250mm	BAND 250MM	1	
36	F16	94400T800000	大灯继电器控制器	HEADLIGHT RELAY CONTROLLER	1	for automatic headlight on
37	F16	65624P160000	卡螺母M5	NUT M5	1	for automatic headlight on
38	F16	B1301050120H	组合螺钉M5×12	SCREW W/WASHER, M5×12	1	for automatic headlight on

F17 发动机附件 ENGINE ATTACHMENT ASSY.



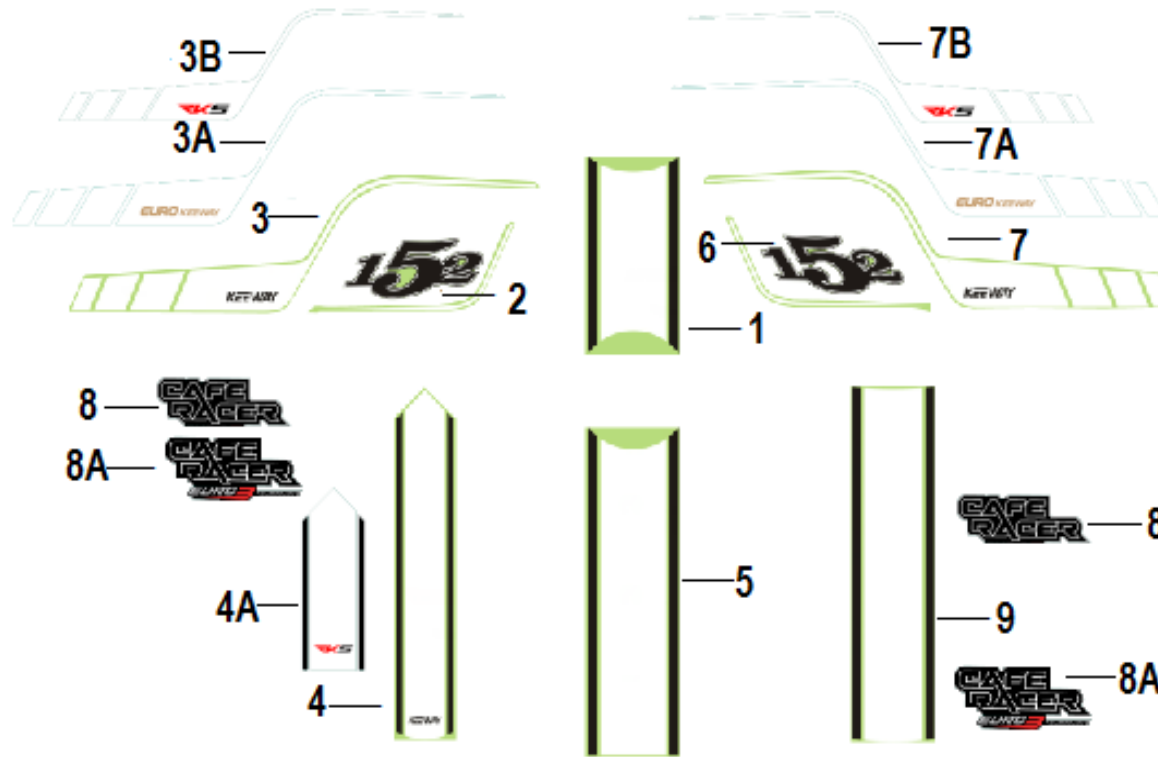
NO.	Position No.	CODE	CN DESCRIPTION	EN DESCRIPTION	Qty/Unit	NOTES
1	F17	08350J0100GD	脚起动机杆组件	KICK STARTER ASSY	1	
2	F17	B0205080306H	内六角螺钉M8×30	SCREW M8×30	1	
3	F17	08370L070004	换档踏杆组件	GEAR-SHIFT PEDAL LEVER ASSY	1	
4	F17	B0101060202H	螺栓M6×20	BOLT M6×20	1	
5	F17	08011L290000	变档杆安装螺栓	BOLT	1	
5A	F17	B1330060120H	组合螺栓M6×12	SCREW WASHER M6×12	1	2022
6	F17	B0107060356H	螺栓M6×35	BOLT M6×35	2	

F18 随车工具 TOOL KIT ASSY.



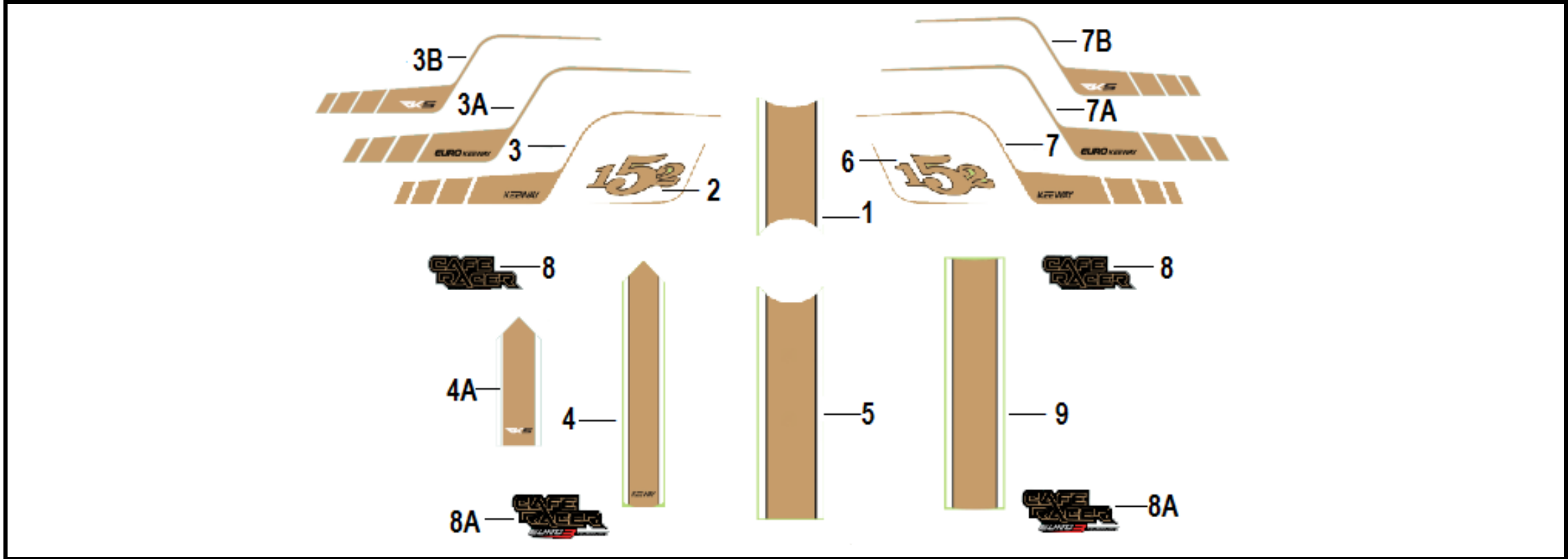
NO.	Position No.	CODE	CN DESCRIPTION	EN DESCRIPTION	Qty/Unit	NOTES
1	F18	02100K670001	随车工具	TOOL KIT	1	

F21 贴花 STICKER ASSY.FOR BLUE L5



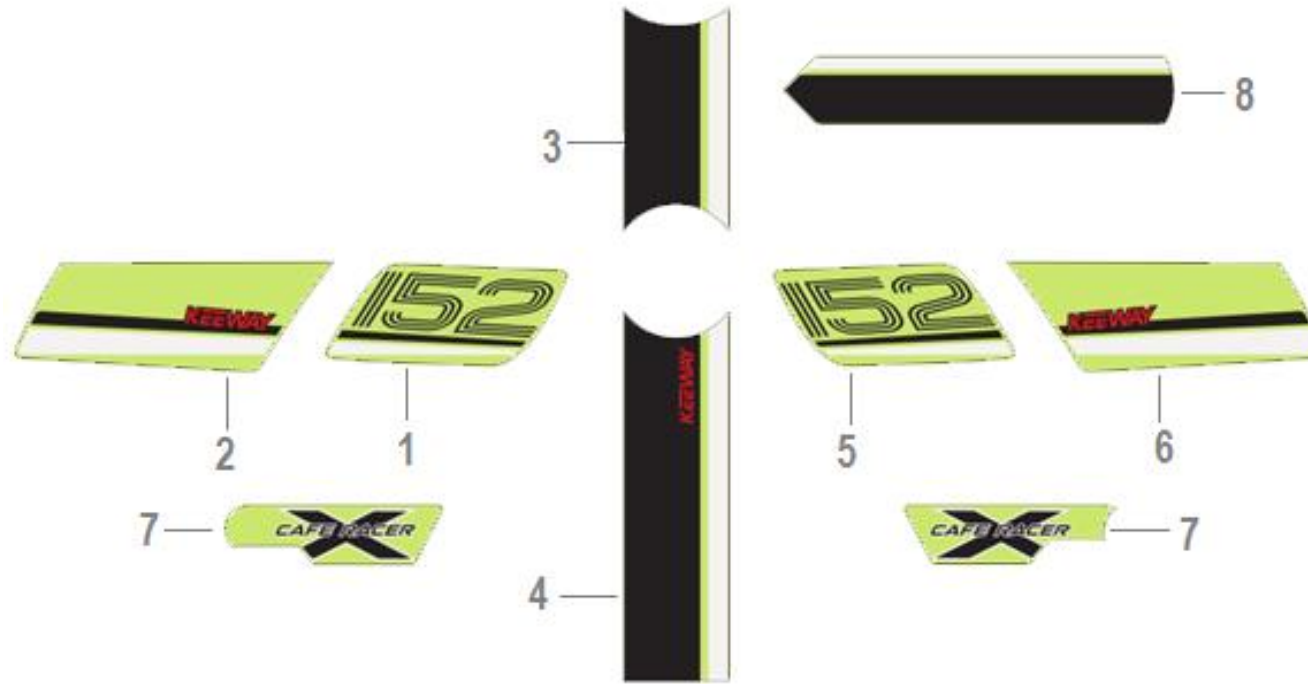
NO.	Position No.	CODE	CN DESCRIPTION	EN DESCRIPTION	Qty/Unit	NOTES
1	F21	05531L07L504	油箱背部上贴花	FUEL TANK FRONT STICKER	1	
2	F21	05534L07L504	油箱右贴花I	FUEL TANK RIGHT STICKER I	1	
3	F21	05536L07L504	油箱右贴花II	FUEL TANK RIGHT STICKER II	1	
4	F21	05501L07L504	前泥板贴花	FRONT FENDER STICKER	1	
5	F21	05532L07L504	油箱背部下贴花	FUEL TANK REAR STICKER	1	
6	F21	05533L07L504	油箱左贴花I	FUEL TANK LEF STICKER I	1	
7	F21	05535L07L504	油箱左贴花II	FUEL TANK LEF STICKER II	1	
8	F21	05511L07WF04	护板贴花	SIDE COVER STICKER	2	
9	F21	05571L07L504	装饰罩贴花	DECORATIVE COVER STICKER	1	

F22 贴花 STICKER ASSY.FOR GRAPHITE BLACK BC



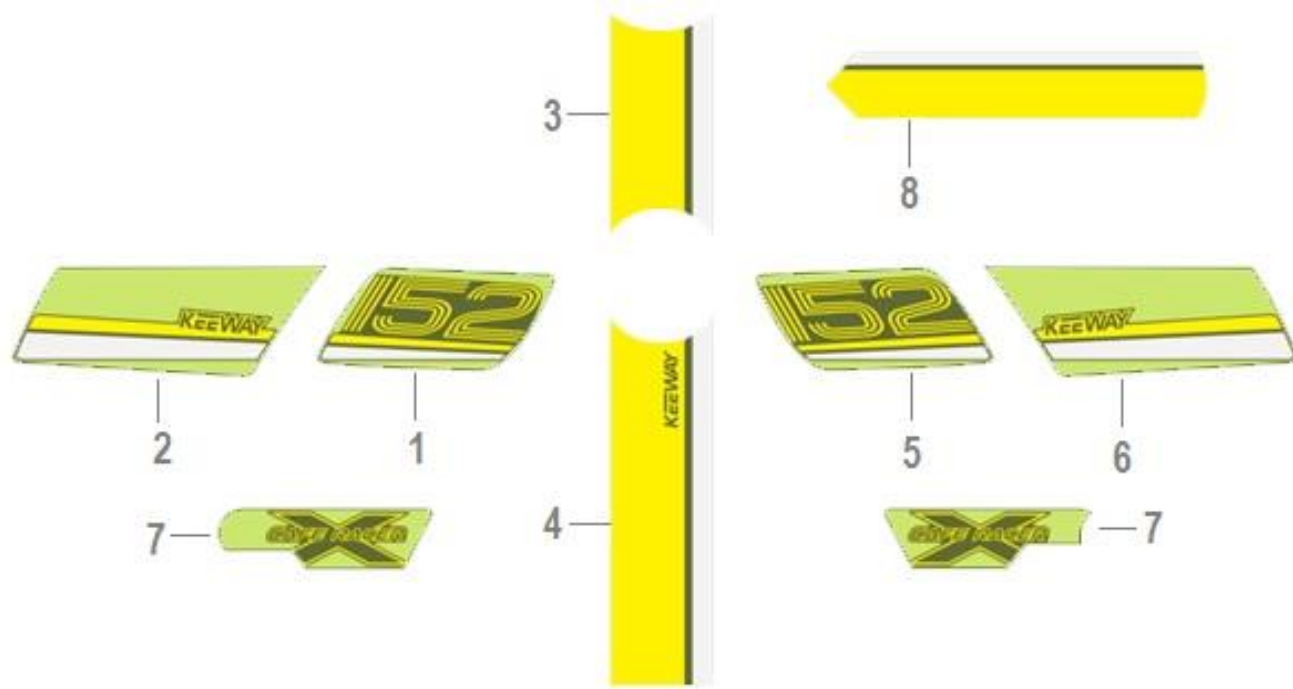
NO.	Position No.	CODE	CN DESCRIPTION	EN DESCRIPTION	Qty/Unit	NOTES
1	F22	05531L07BC04	油箱背部上贴花	FUEL TANK FRONT STICKER	1	
2	F22	05534L07BC04	油箱右贴花I	FUEL TANK RIGHT STICKER I	1	
3	F22	05536L07BC04	油箱右贴花II	FUEL TANK RIGHT STICKER II	1	
4	F22	05501L07BC04	前泥板贴花	FRONT FENDER STICKER	1	
5	F22	05532L07BC04	油箱背部下贴花	FUEL TANK REAR STICKER	1	
6	F22	05533L07BC04	油箱左贴花I	FUEL TANK LEF STICKER I	1	
7	F22	05535L07BC04	油箱左贴花II	FUEL TANK LEF STICKER II	1	
8	F22	05511L07BC04	护板贴花	SIDE COVER STICKER	2	
9	F22	05571L07BC04	装饰罩贴花	DECORATIVE COVER STICKER	1	

F34 STICKER, FOR RED RB 2022



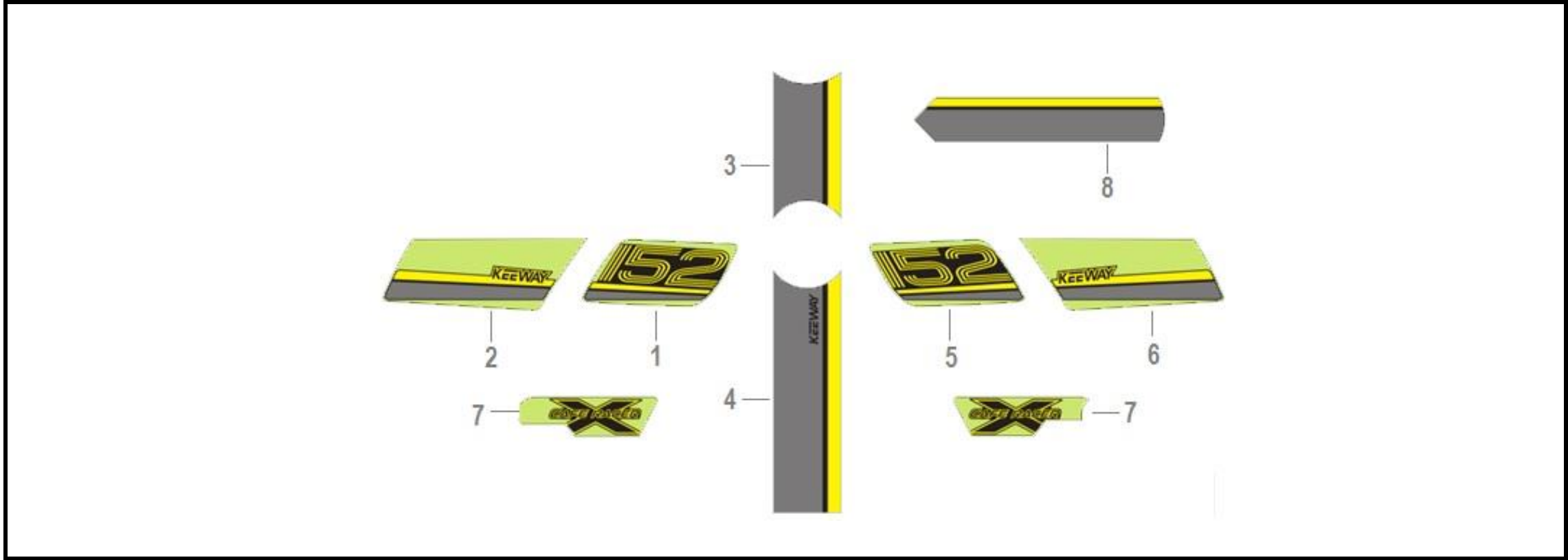
NO.	Position No.	CODE	CN DESCRIPTION	EN DESCRIPTION	Qty/Unit	NOTES
1	F34	05533L07RB0B	油箱右侧前部贴花	152 STICKER,FUEL TANK RIGHT FRONT" - RED	1	
2	F34	05534L07RB0B	油箱右侧后部贴花	152 STICKER,FUEL TANK RIGHT BACK" - RED	1	
3	F34	05535L07RB0B	油箱背部贴花1	FUEL TANK 1 - RED	1	
4	F34	05536L07RB0B	油箱背部贴花2	FUEL TANK 2 - RED	1	
5	F34	05531L07RB0B	油箱左侧前部贴花	152 STICKER,FUEL TANK LEFT FRONT" - RED	1	
6	F34	05532L07RB0B	油箱左侧后部贴花	152 STICKER,FUEL TANK LEFT BACK" - RED	1	
7	F34	05511L07RB0B	护板贴花	SIDE STICKER - RED	2	
8	F34	05501L07RB0B	前泥板贴花	FRONT FENDER STICKER - RED	1	

F35 STICKER, GREEN G9 2022



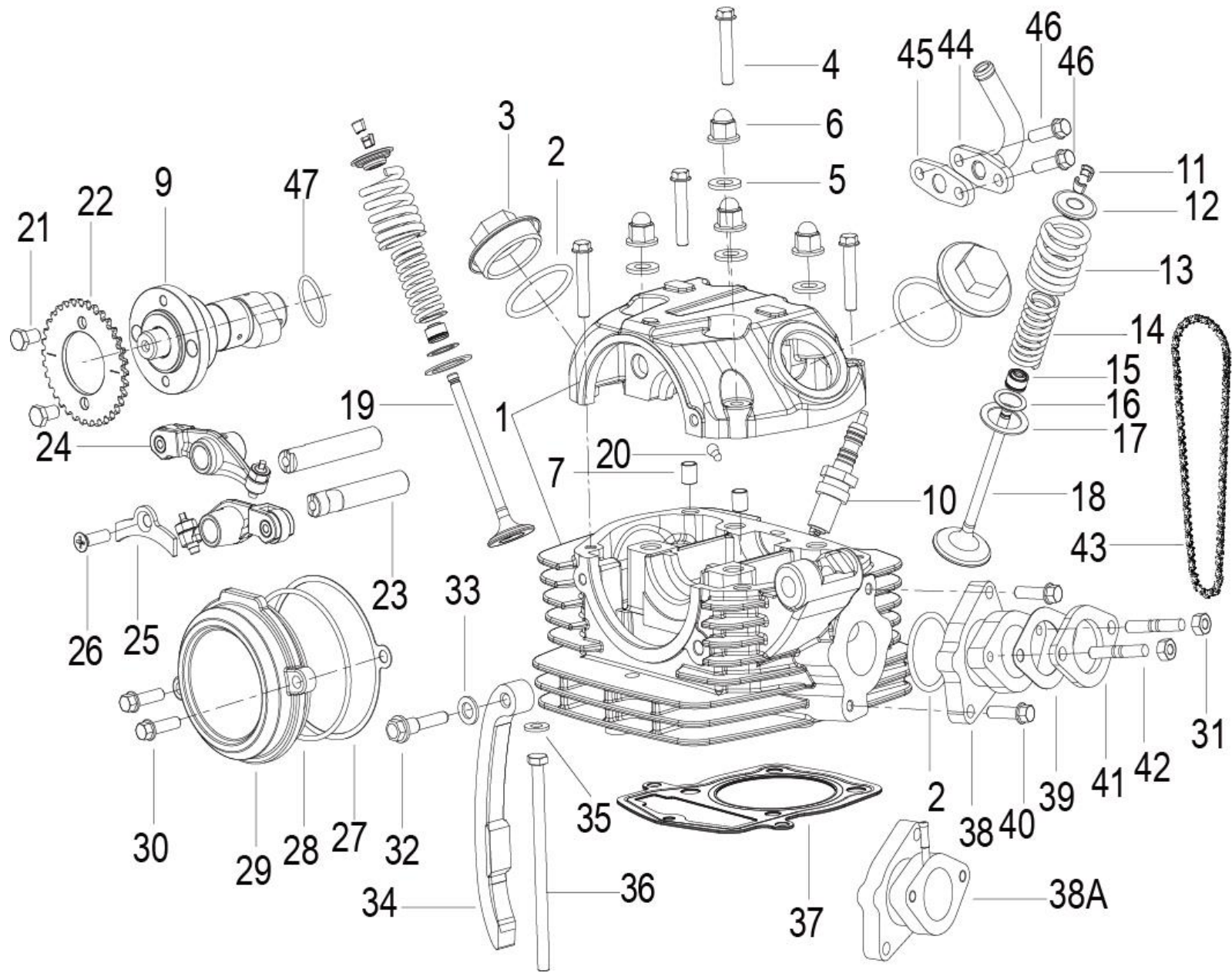
NO.	Position No.	CODE	CN DESCRIPTION	EN DESCRIPTION	Qty/Unit	NOTES
1	F35	05533L07G90B	油箱右侧前部贴花	152 STICKER,FUEL TANK RIGHT FRONT" - GREEN	1	
2	F35	05534L07G90B	油箱右侧后部贴花	152 STICKER,FUEL TANK RIGHT BACK" - GREEN	1	
3	F35	05535L07G90B	油箱背部贴花1	FUEL TANK 1 - GREEN	1	
4	F35	05536L07G90B	油箱背部贴花2	FUEL TANK 2 - GREEN	1	
5	F35	05531L07G90B	油箱左侧前部贴花	152 STICKER,FUEL TANK LEFT FRONT" - GREEN	1	
6	F35	05532L07G90B	油箱左侧后部贴花	152 STICKER,FUEL TANK LEFT BACK" - GREEN	1	
7	F35	05511L07G90B	护板贴花	SIDE STICKER - GREEN	2	
8	F35	05501L07G90B	前泥板贴花	FRONT FENDER STICKER - GREEN	1	

F36 STICKER, BLACK N6 2022



NO.	Position No.	CODE	CN DESCRIPTION	EN DESCRIPTION	Qty/Unit	NOTES
1	F36	05533L07N60B	油箱右侧前部贴花	152 STICKER,FUEL TANK RIGHT FRONT" - BLACK	1	
2	F36	05534L07N60B	油箱右侧后部贴花	152 STICKER,FUEL TANK RIGHT BACK" - BLACK	1	
3	F36	05535L07N60B	油箱背部贴花1	FUEL TANK 1 - BLACK	1	
4	F36	05536L07N60B	油箱背部贴花2	FUEL TANK 2 - BLACK	1	
5	F36	05531L07N60B	油箱左侧前部贴花	152 STICKER,FUEL TANK LEFT FRONT" - BLACK	1	
6	F36	05532L07N60B	油箱左侧后部贴花	152 STICKER,FUEL TANK LEFT BACK" - BLACK	1	
7	F36	05511L07N60B	护板贴花	SIDE STICKER - BLACK	2	
8	F36	05501L07N60B	前泥板贴花	FRONT FENDER STICKER - BLACK	1	

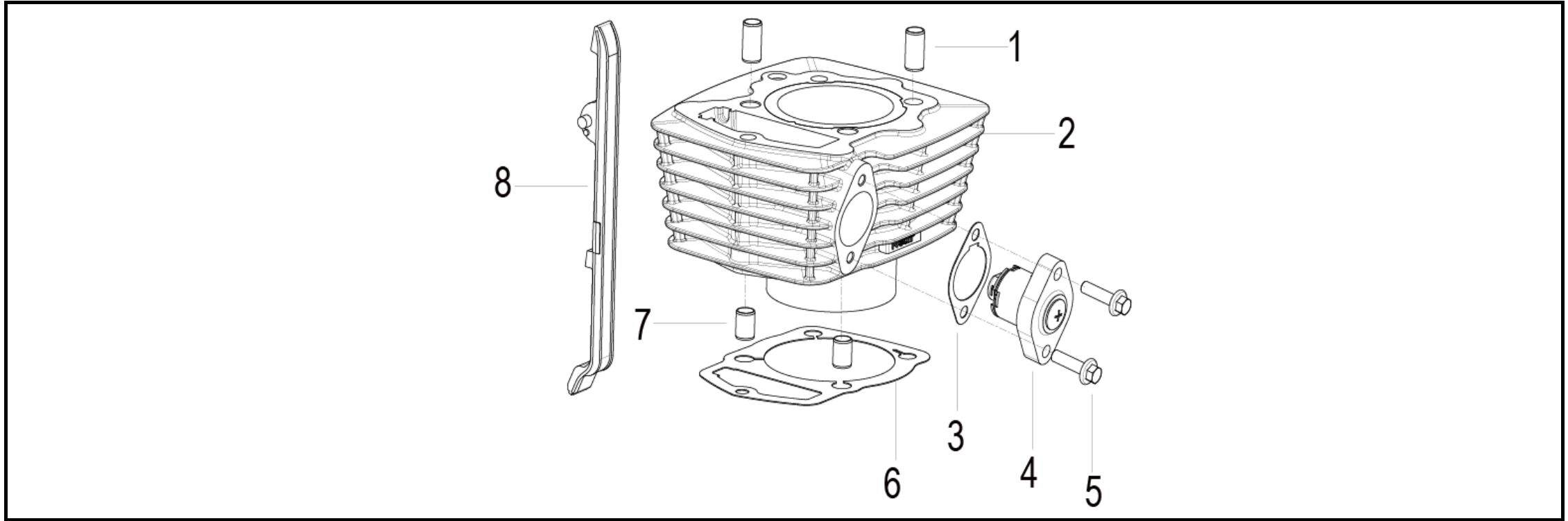
E01.COVER CYLINDER HEAD ASSY



NO.	Position No.	CODE	CN DESCRIPTION	EN DESCRIPTION	Qty/Unit	NOTES
1	E01	100164290040	缸盖罩气缸盖组件(深灰银)二次进气	COVER&CYLINDER HEAD ASSY,GRAY,WITH SECONDARY AIR INTAKE VALVE	1	
2	E01	150293070000	O型密封圈35X3	O-RING 35X3	3	
3	E01	150023070040	滤油器弹簧盖(深灰银)	VALVE HEAD	2	
4	E01	B0107060356H	六角法兰面螺栓 M6x35	BOLT M6x35	4	
5	E01	120113090000	铜垫圈8	WASHER 8	4	
6	E01	120083090120	盖形螺母M8	NUT M8	4	
7	E01	150016080000	定位销Φ8X10	PIN Φ8X10	2	
8	E01	120084290000	凸轮轴套组件	SLEEVE,CAMSHAFT	1	
9	E01	129094290000	凸轮轴组件	CAMSHAFT ASSY	1	
10	E01	299073070000	火花塞组合	SPARK	1	
11	E01	129223070002	锁夹	COTTER,VALVE	4	
12	E01	129203070002	气门弹簧盘 (15度)	RETAINER VALVE SPRING	2	
13	E01	129264290000	气门外弹簧	SPRING,OUTER	2	
14	E01	129254290000	气门内弹簧	SPRING,INNER	2	
15	E01	120123070000	气门杆密封圈	OIL SEAL	2	
16	E01	120183070000	气门内弹簧垫圈	WASHER,INNER	2	
17	E01	120023070030	气门外弹簧垫圈	WASHER,OUTER	2	
18	E01	129184290000	进气门	VALVE,INTAKE	1	
19	E01	129194290000	排气门	VALVE,EXHAUST	1	
20	E01	100024290000	橡胶堵头	PLUG	1	
21	E01	B0107060106H	六角头螺栓 M6x10	BOLT M6x10	2	
22	E01	129034290000	凸轮轴正时链轮	SPROCKET,CAMSHAFT	1	
23	E01	129164290000	摇臂轴	AXLE, VALVE ROCKER ARM	2	
24	E01	120014290000	滚轮摇臂组件	ADJUSTING	2	
25	E01	100014290000	摇臂轴限位板	PLATE	1	

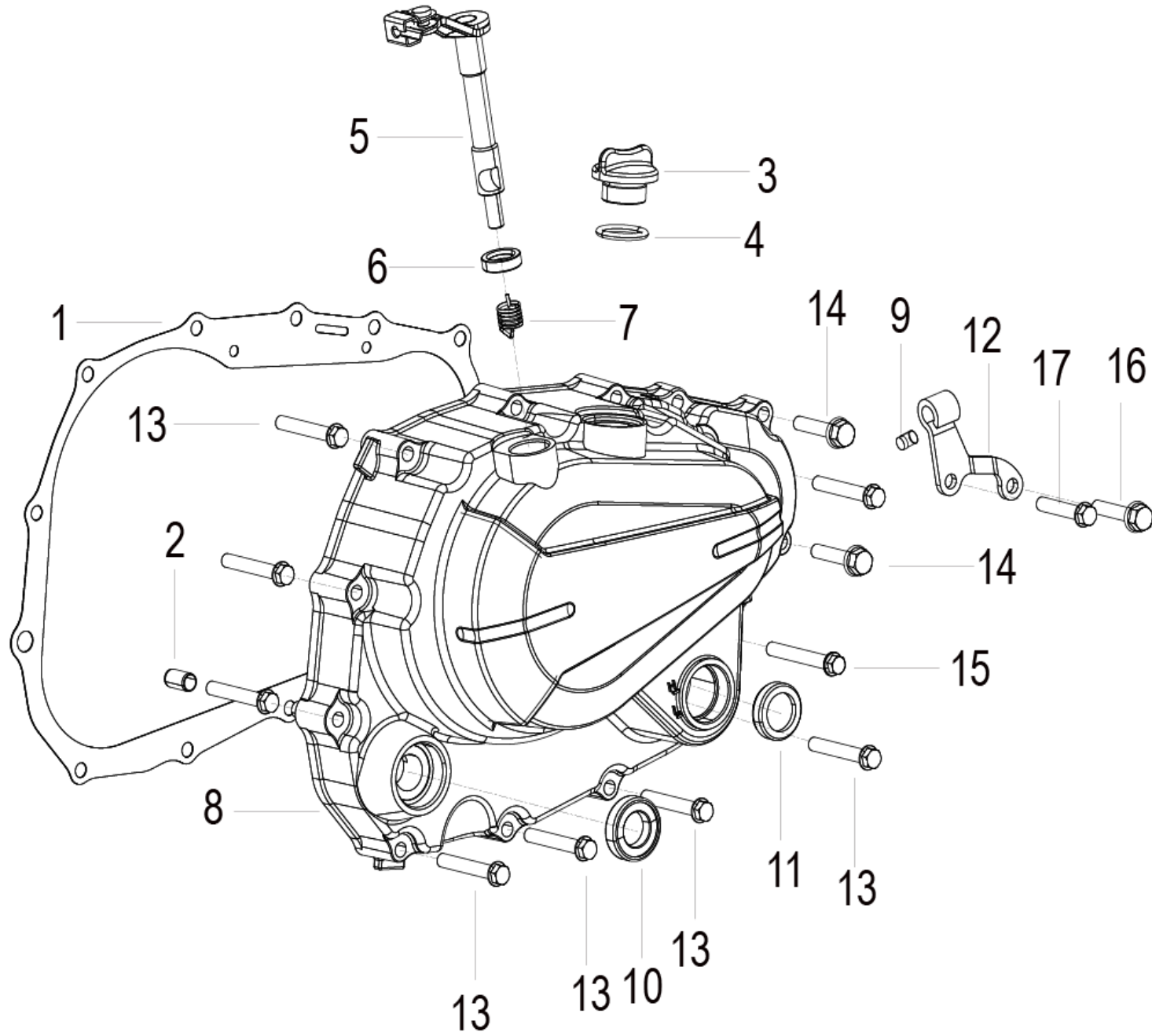
NO.	Position No.	CODE	CN DESCRIPTION	EN DESCRIPTION	Qty/Unit	NOTES
26	E01	B0201060162H	十字槽沉头螺钉M6×16	SCREW M6×16	1	
27	E01	100104290000	链轮盖垫片(石棉)	WASHER,with asbestos	1	with asbestos
28	E01	100174290000	O型密封圈2.5X75	O-RING 2.8X76	1	
29	E01	100084290020	链轮盖	COVER,SPROCKET	1	
30	E01	B0107060206H	六角法兰面螺栓M6×20	BOLT M6×20	2	
31	E01	B0400060005H	六角螺母 M6	NUT M6	2	
32	E01	100034290110	主导链板螺栓	BOLT	1	
33	E01	100044290000	密封垫片	WASHER	1	
34	E01	149014290000	主导链板组件	GUIDE CHAIN PLATE	1	
35	E01	130014290000	垫片6.2X13X1.5	WASHER 6.2X13X1.5	1	
36	E01	100023050110	螺栓M6×110	BOLT M6×110	1	
37	E01	100064290000	气缸盖密封垫组件	GASKET,CYLINDER HEAD	1	
38A	E01	110083070040	化油器接头(直接头深灰银)二次进气	PIPE,INTAKE,WITH AIR INTAKE VALVE	1	
39	E01	110093070000	化油器纸垫(石棉)	GASKET,INSULATOR,with asbestos	1	with asbestos
40	E01	B0107060206H	六角法兰面螺栓M6×20	BOLT M6×20	2	
41	E01	119073070000	化油器隔热垫	SEPERATOR PLATE	1	
42	E01	120043070060	双头螺栓M6X35	STUD BOLT M6×35	2	
42	E01	120073050020	双头螺栓M6X32	STUD BOLT M6X32	2	
43	E01	140064230010	链条	CHAIN	1	
44	E01	119014290000	二次进气弯管组件	SECONDARY AIR INTAKE PIPE	1	
45	E01	119092140010	气缸盖连接弯管垫片	GASKET	1	
46	E01	B0107060166H	螺栓M6×16	BOLT M6×16	2	

E02.CYLINDER



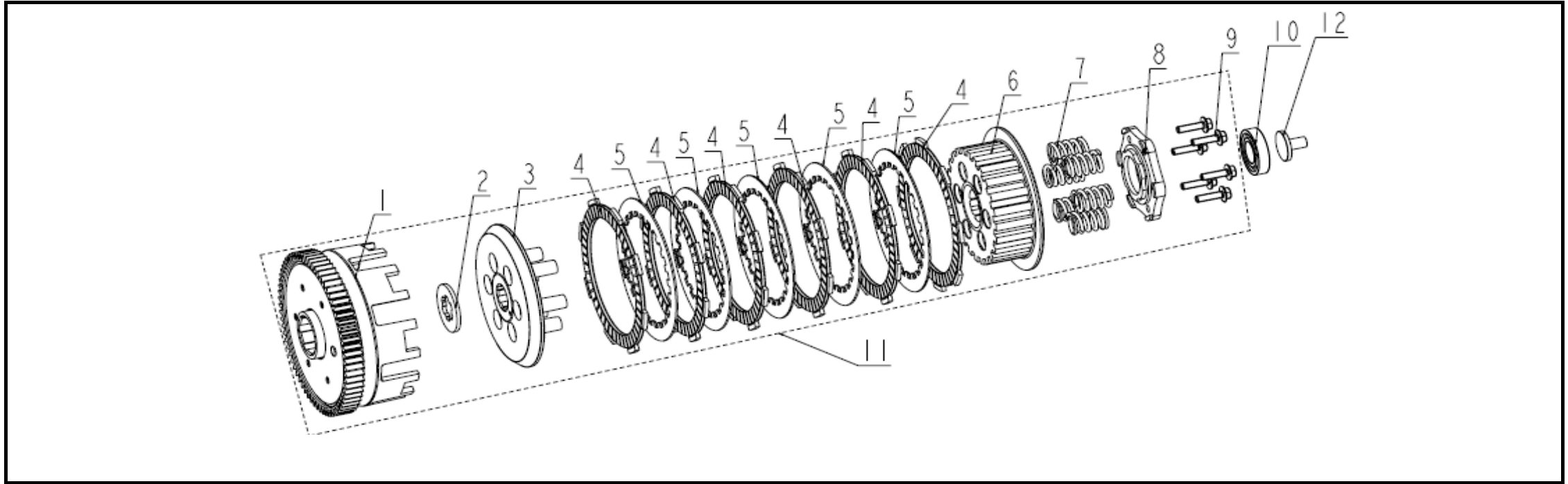
NO.	Position No.	CODE	CN DESCRIPTION	EN DESCRIPTION	Qty/Unit	NOTES
1	E02	130023070000	定位销	PIN,DOWEL	2	
2	E02	139014290030	气缸体组件	CYLINDER	1	
3	E02	140013050040	分气链条调整器垫片(石棉)	GASKCET,with asbestos	1	with asbestos
4	E02	140084290020	涨紧器组件	CHAIN ADJUSTER	1	
5	E02	B0107060226H	六角法兰面螺栓M6x22	BOLT M6x22	2	
6	E02	139024290000	气缸体垫片(石棉)	GASKET,CYLINDER,with asbestos	1	with asbestos
7	E02	150083070000	定位销	PIN,DOWEL	2	
8	E02	149024290000	副导链板组件	GUIDE ROLLER CHAIN PLATE	1	

E03.CLUTCH COVER ASSY



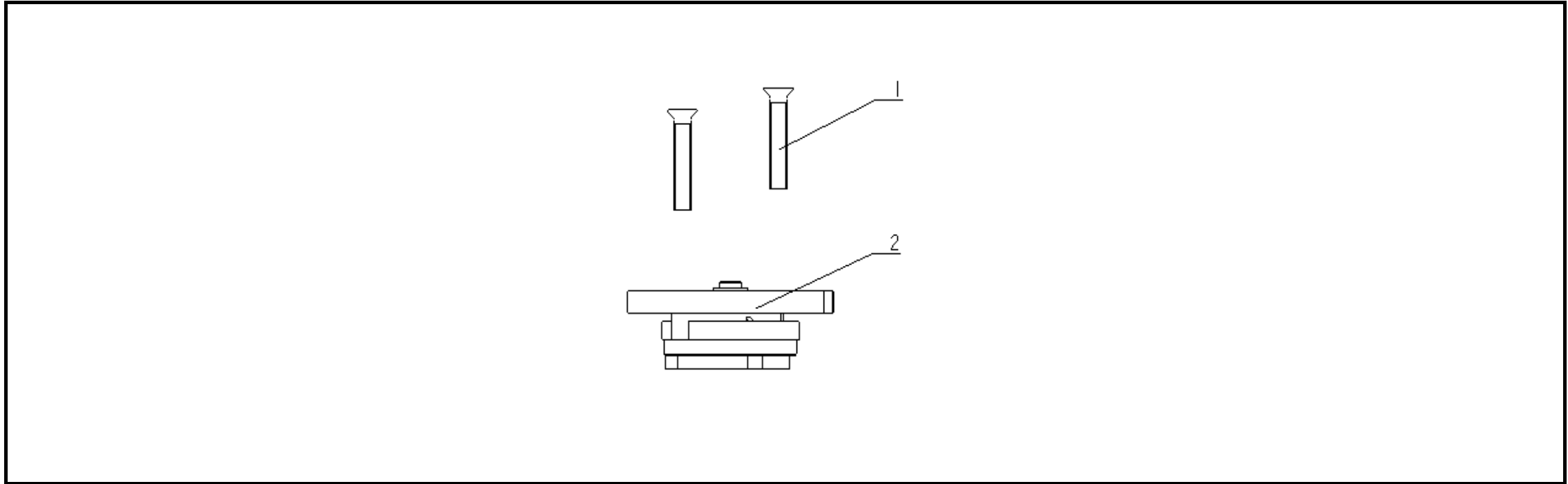
NO.	Position No.	CODE	CN DESCRIPTION	EN DESCRIPTION	Qty/Unit	NOTES
1	E03	169114310000	右盖纸垫(石棉)	GASKET,CLUTCH COVER,with asbestos	1	with asbestos
2	E03	160073070000	定位销	PIN,DOWEL	2	
3	E03	160063090060	加油口螺塞	GAUGE,OIL LEVEL	1	
4	E03	160063070000	O型密封圈18X3.5	O RING18x3.5	1	
5	E03	160034290000	离合器分离杆组合	ROD ASSY,CLUTCH RELEASE	1	
6	E03	200001050000	分离杆油封	OIL SEAL12x18x5	1	
7	E03	200034050000	离合器分离杆弹簧	SPRING,CLUTCH RELEASE	1	
8	E03	169104310020	右盖 (深灰银KEEWAY)	CLUTCH COVER,SILVER GRAY,mark:KEEWAY	1	mark:KEEWAY
9	E03	150103070000	堵头	PLUG	3	
10	E03	160013070000	油封	OIL SEAL	1	
11	E03	160083090000	油面指示器组合	OIL LEVEL INDICATOR ASSY	1	
12	E03	150014310010	离合器钢索支架	BRACKET,CLUTCH	1	
13	E03	B0107060406H	六角法兰面螺栓M6x40	BOLT M6x40	8	
14	E03	B0107060256H	六角法兰面螺栓M6x25	BOLT M6X25	1	
15	E03	B0107060456H	六角法兰面螺栓M6x45	BOLT M6X45	1	
16	E03	200663070120	螺栓M6X42	BOLT M6X42	1	
17	E03	B0107060306H	螺栓M6X30	BOLT M6X30	1	

E04.CLUTCH ASSY



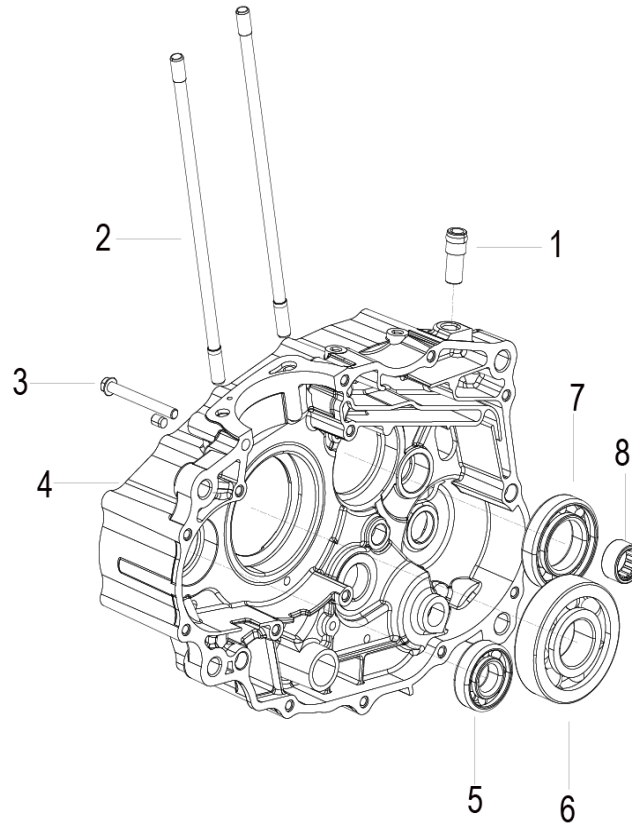
NO.	Position No.	CODE	CN DESCRIPTION	EN DESCRIPTION	Qty/Unit	NOTES
1	E04	200024310000	离合器外壳组件	GEAR,PRIMARY DRISVE	1	
2	E04	200103070000	主轴内花键垫圈	WASHER,SPLINE	1	
3	E04	200043070000	离合器压盘	HUB,CLUTCH SLEEVE	1	
4	E04	200113070010	摩擦片组合	FRICITION PLATE	5	
5	E04	200093070000	摩擦铁片	PRESSURE PLATE	4	
6	E04	209103070002	离合器中心支架组合	DISK,PRESSURE	1	
7	E04	200053070000	离合器弹簧	SPRING,CLUTCH	4	
8	E04	200204050000	离合器挺杆板片	PLATE,CLUTCH RELEASE	1	
9	E04	B0107060226H	#N/A	BOLT M6x22	4	
10	E04	B12016600301	滚动轴承16003	BEARING 16003	1	
11	E04	200014310010	离合器组件	CLUTCH ASSY.	1	
12	E04	200183070000	挺杆	TAPPET	1	

E05.OIL PUMP ASSY



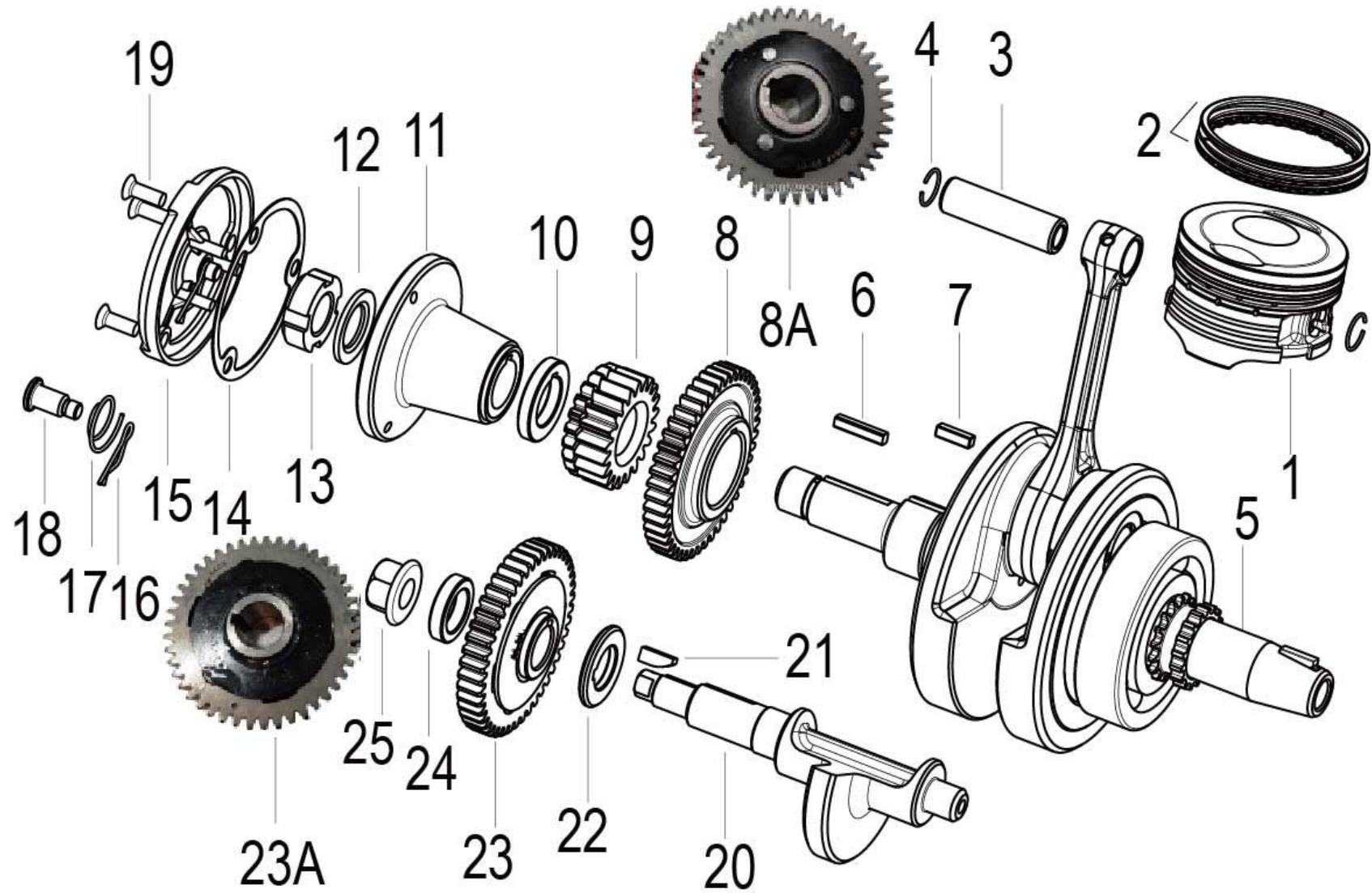
NO.	Position No.	CODE	CN DESCRIPTION	EN DESCRIPTION	Qty/Unit	NOTES
1	E05	B0201060306H	十字槽沉头螺钉M6×30	SCREW M6×30	2	
2	E05	269014310000	机油泵组件	OIL PUMP ASSY.	1	

E06.RIGHT CRANKCASE ASSY



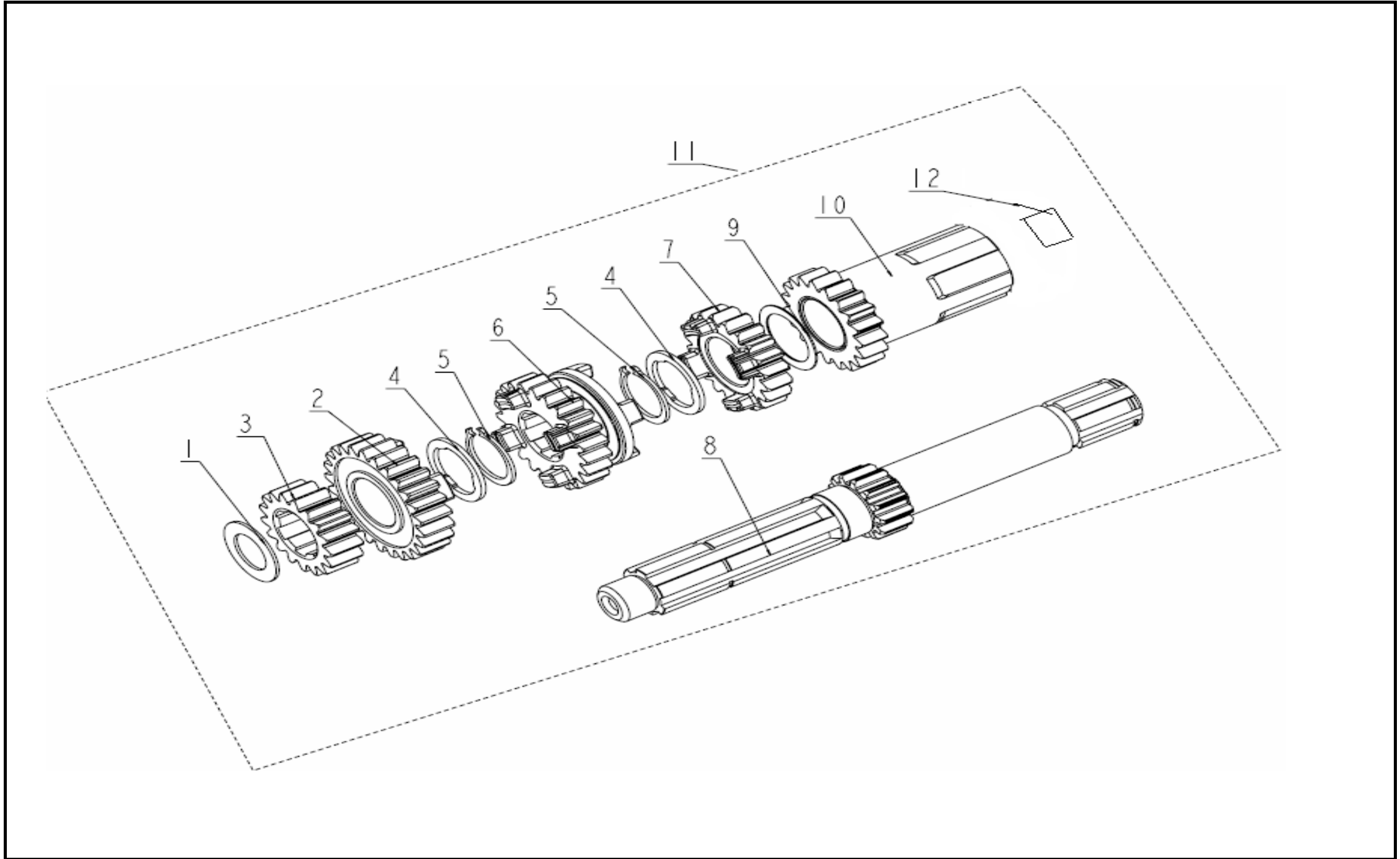
NO.	Position No.	CODE	CN DESCRIPTION	EN DESCRIPTION	Qty/Unit	NOTES
1	E06	159083070000	通气管	HOSE ,BREATHER	1	
2	E06	150074290000	双头螺柱A	STUD BOLT	2	
3	E06	B0107060556H	六角法兰面螺栓M6x55	BOLT M6x55	1	
4	E06	159034310010	右曲轴箱体组件 (深灰银)	RIGHT CRANKCASE ASSY.	1	
5	E06	B12016020308	滚动轴承 6203/P53	BERING 6203/P53	1	
6	E06	150024310000	滚动轴承28X72X18	BERING 28X72X18	1	
7	E06	B12016000603	深沟球轴承6006/P6	BERING 6006/P6	1	
8	E06	150084030000	滚针轴承	BERING 6006/P6	1	

E07.CRANK SHAFT&CONNECTING ROD ASSY



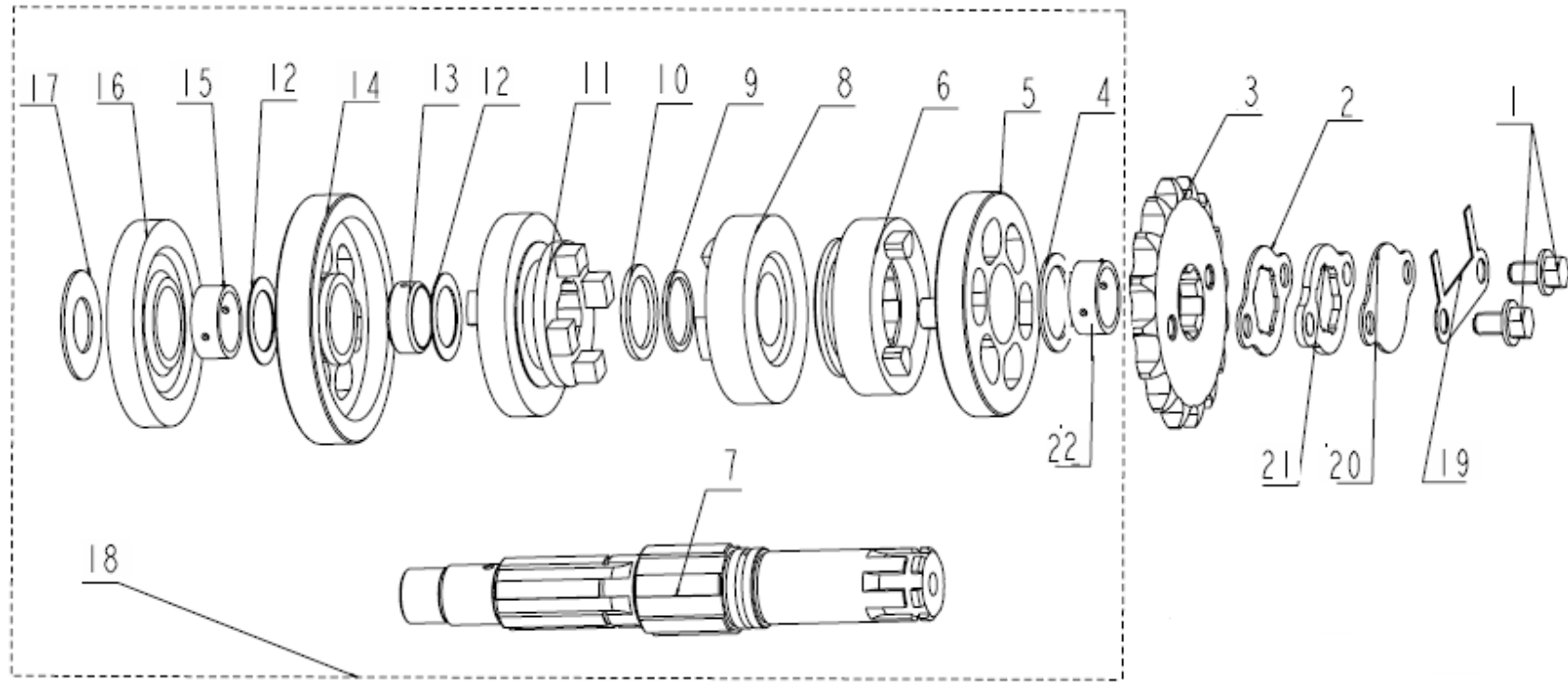
NO.	Position No.	CODE	CN DESCRIPTION	EN DESCRIPTION	Qty/Unit	NOTES
1	E07	179134290010	活塞	PISTON	1	179134290030
2	E07	17918403003Z	活塞环组合	RING ASSY	1	
3	E07	179144030001	活塞销	PIN,PISTON	1	
4	E07	179154050000	挡圈	CIRCLIP	2	
5	E07	179014310010	曲轴连杆组件	CRANK SHAFT&CONNECTING ROD ASSY	1	
6	E07	170041170000	键B4*20	KEY B4*20	1	
7	E07	B11130044014	平键	KEY	1	
8	E07	179304310000	平衡轴主动齿轮	GEAR	1	
8A	E07	179264310000	平衡轴主动齿轮	BALANCER DRIVE GEAR	1	2022
9	E07	170014310000	主动齿轮	GEAR,DRIVE	1	
10	E07	170024310000	主动齿轮垫片	WASHER	1	
11	E07	170093070001	机油过滤器转子组件	BODY,OIL FILTER	1	
12	E07	170063070000	机油过滤器垫圈	WASHER	1	
13	E07	170073070000	锁紧螺母	PIECE,DRIVE	1	
14	E07	170083070000	机油过滤器转子盖垫(石棉)	CAP,OIL FILTER ROTOR,with asbestos	1	with asbestos
15	E07	170163070000	机油过滤器转子盖	CAP,ROTOR	1	
16	E07	170193070000	保险销	PIN,DOWEL	1	
17	E07	170173070000	过油管弹簧	SPRING,OIL PASSAGE	1	
18	E07	170183070000	过油管	TUBE,FILTER	1	
19	E07	B0202050122H	#N/A	SCREW M5X12	3	
20	E07	179254310020	平衡轴	SHAFT,BALANCE	1	
21	E07	170024040000	键	KEY	1	
22	E07	170124310000	平衡齿轴套1	SHAFT SLEEVE 1	1	
23	E07	170114310000	平衡轴从动齿轮组件	GEAR	1	
23A	E07	170154310000	平衡轴从动齿轮组件	BALANCER DRIVE GEAR	1	2022
24	E07	170134310000	平衡齿轴套2	SHAFT SLEEVE 2	1	
25	E07	B0418121257H	螺母M12x1.25	NUT M12x1.25	1	

E08.COUNTER&DRIVE SHAFT ASSY



NO.	Position No.	CODE	CN DESCRIPTION	EN DESCRIPTION	Qty/Unit	NOTES
1	E08	210163070000	止推垫圈φ15	WASHER,THRUSTΦ15	1	
2	E08	219194290000	主轴五速齿轮	GEAR,5TH DRIVE	1	please order parent part
3	E08	210104290000	主轴二速齿轮	GEAR,2TH DRIVE	1	please order parent part
4	E08	210143070000	花键垫圈	WASHER,SPLINE	2	
5	E08	210023070000	挡圈φ20	CIRCLIPΦ20	2	
6	E08	210124290000	主轴四速齿轮	GEAR,4TH DRIVE	1	please order parent part
7	E08	210114290000	主轴三速齿轮	GEAR,3RD DRIVE	1	please order parent part
8	E08	219144310000	变速器主轴	COUNTER SHAFT	1	please order parent part
9	E08	210133070000	止推垫圈φ20	WASHER,THRUSTΦ20	1	
10	E08	210024310000	起动齿轮组件	GEAR,LICK STARTER	1	please order parent part
11	E08	219134310000	主轴组件	COUNTER SHAFT ASSY	1	parent part
12	E08	210393070000	轴堵	PLUG	1	please order parent part

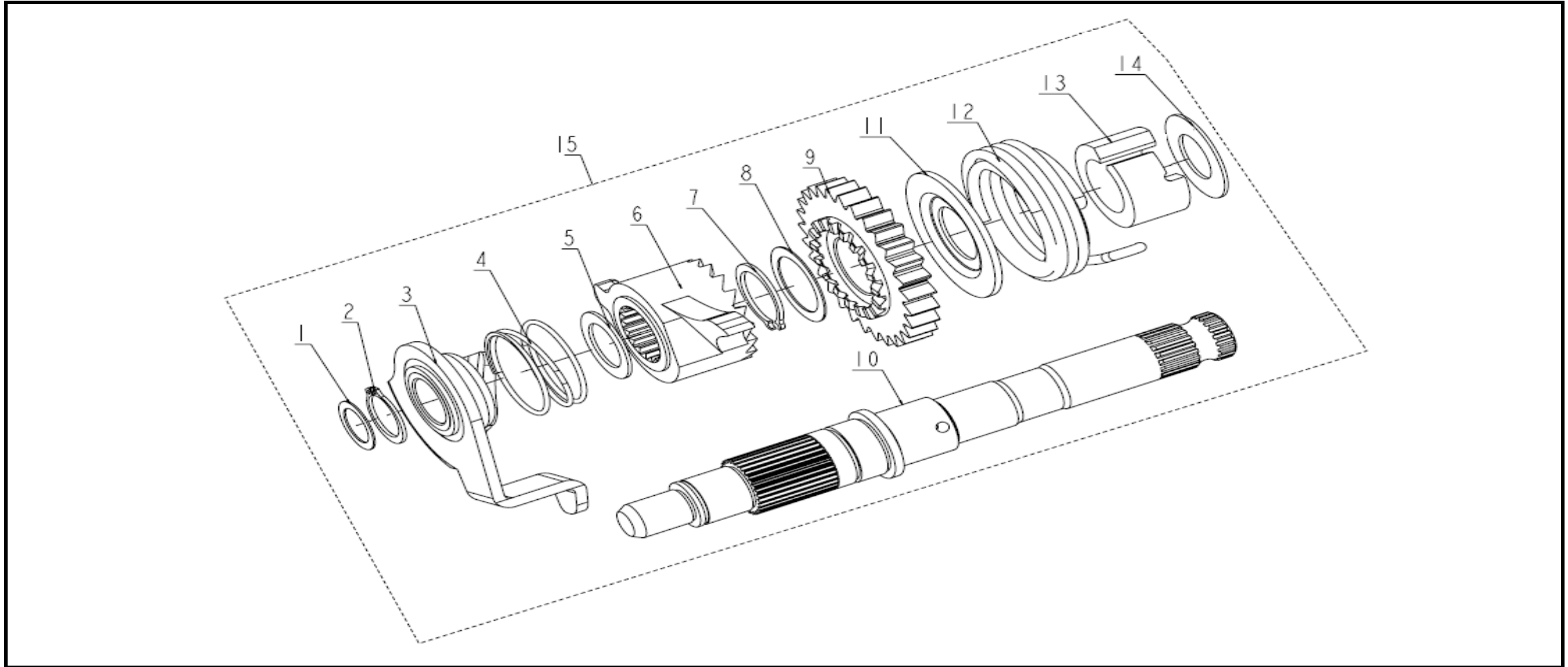
E09.DRIVE SHAFT ASSY



NO.	Position No.	CODE	CN DESCRIPTION	EN DESCRIPTION	Qty/Unit	NOTES
1	E09	B0103060166H	六角头螺栓M6×16	BOLT M6×16	2	
2	E09	219313070001	链轮锁紧垫片	WASHER,LOCK	1	
3	E09	219303070004	主动链轮	SPROCKET DRIVING CHAIN	1	
4	E09	210223070000	止推垫圈Φ20	WASHER,THRUST	2	
5	E09	210094290000	副轴二速齿轮	GEAR,2TH DRIVEN	1	please order parent part
6	E09	210044310000	副轴五速齿轮	GEAR,5TH DRIVEN	1	please order parent part
7	E09	219224310010	变速器副轴	SHAFT,DRIVE	1	
8	E09	219264030000	副轴四速齿轮	GEAR,4TH DRIVEN	1	
9	E09	210143070000	花键垫圈	WASHER,SPLINE	1	

NO.	Position No.	CODE	CN DESCRIPTION	EN DESCRIPTION	Qty/Unit	NOTES
10	E09	210023070000	挡圈Φ20	CIRCLIPΦ20	1	
11	E09	219254290000	副轴三速齿轮	GEAR,3ST DRIVEN	1	please order parent part
12	E09	210213070000	止推垫圈Φ16.5	WASHER,THRUST	2	
13	E09	210203070000	副轴一速齿轮衬套	BUSH,1ST GEAR	1	
14	E09	219234290000	副轴一速齿轮	GEAR,1ST DRIVEN	1	please order parent part
15	E09	249063070000	起动惰轮衬套	BUSH,STARTER IDLER GEAR	1	
16	E09	249043070000	起动惰轮	GEAR,STARTER IDLER	1	
17	E09	210253070000	止推垫圈Φ15	WASHER,THRUST	1	
18	E09	219214310010	副轴组件	DRIVER SHAFT ASSY.	1	parent part
19	E09	210483070000	防松垫片	GASKET	1	
20	E09	210473070000	副轴盖板	CAP,OIL PUMP	1	
21	E09	210463070000	链轮盖板	CAP,SPROCKET	1	
22	E09	210034290000	副轴二档齿轮衬套	BUSH,2ST GEAR	1	please order parent part

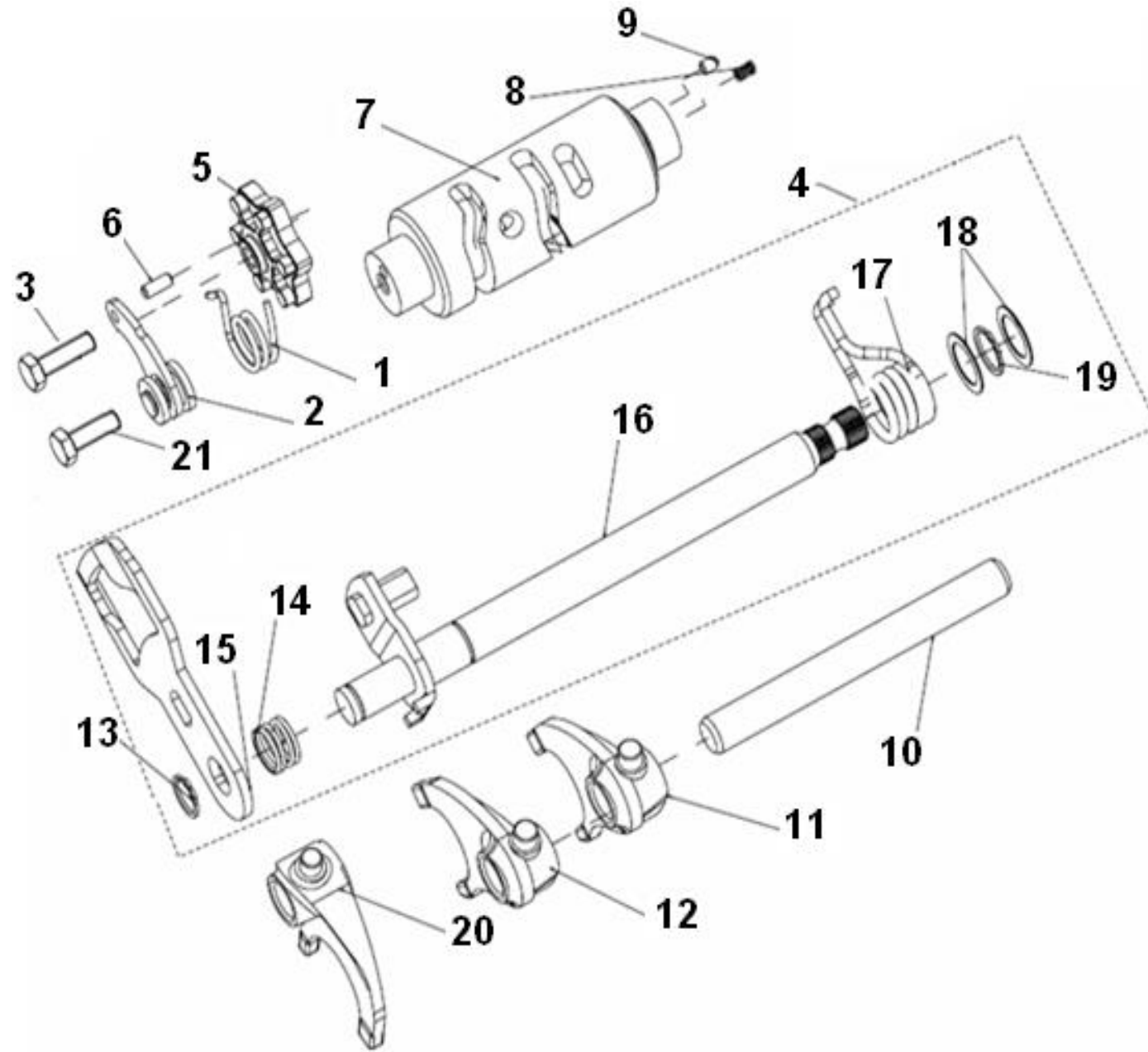
E10.KICK STARTER ASSY



NO.	Position No.	CODE	CN DESCRIPTION	EN DESCRIPTION	Qty/Unit	NOTES
1	E10	250083070000	止推垫圈Φ12	WASHER,THRUST	1	
2	E10	B08010001600	挡圈16	CIRCLIP	1	
3	E10	250093070000	棘轮导向片组件	PLATE,RATCHET GUIDE	1	
4	E10	250063070000	反冲起动棘轮弹簧	SPRING,KICK STARTER RATCHET	1	
5	E10	250073070000	止推垫圈Φ16	WASHER,THUST	1	
6	E10	259053070000	反冲起动棘轮	RATCHET,KICK STARTER RATCHET	1	

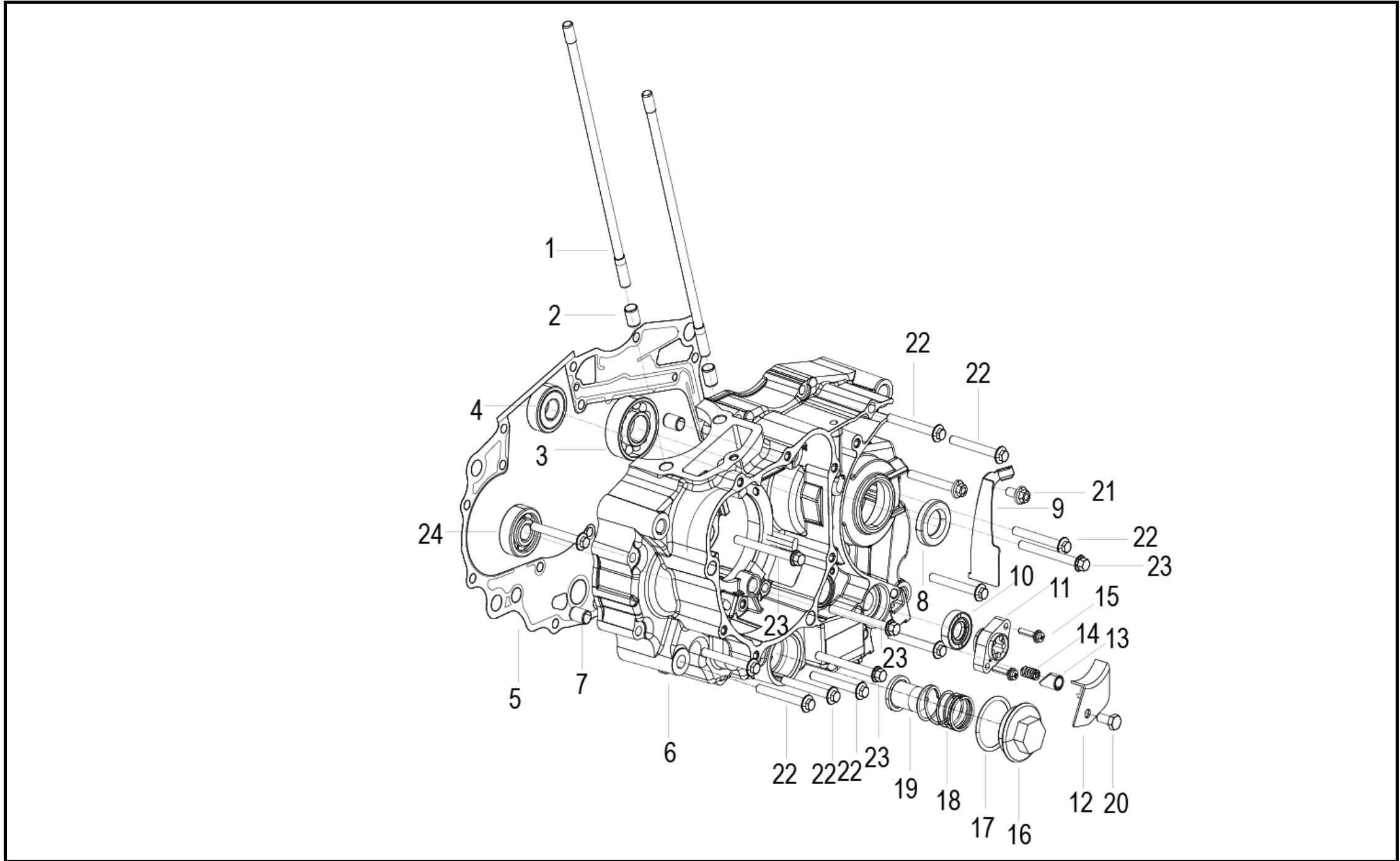
NO.	Position No.	CODE	CN DESCRIPTION	EN DESCRIPTION	Qty/Unit	NOTES
7	E10	210023070000	挡圈20	CIRCLIPΦ20	1	
8	E10	250053070000	止推垫圈Φ20	WASHER,THUST	1	
9	E10	259033070000	反冲起动齿轮	GEAR,KICK STARTER	1	
10	E10	259024310000	反冲起动轴	SHAFT,KICK STARTER	1	
11	E10	250043070000	起动弹簧座圈	SEAT, KICK STARTER SPRING	1	
12	E10	250033070000	反冲起动弹簧	SPRING,KICK STARTER	1	
13	E10	250023070000	反冲起动轴衬套	GUIDE, KICK STARTER SHAFT	1	
14	E10	250013070000	止推垫圈Φ16	WASHER,THUST	1	
15	E10	259014310000	反冲起动轴组合	KICK STARTER SHAFT COMP.	1	

E11.GEAR SHIFT MECHANISM



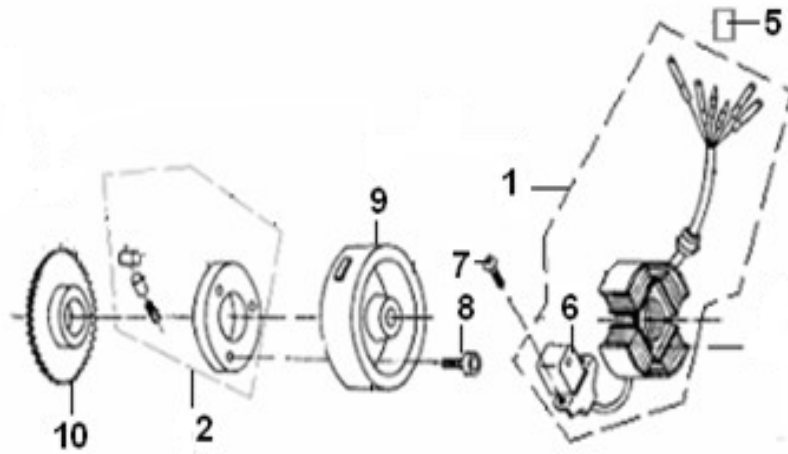
NO.	Position No.	CODE	CN DESCRIPTION	EN DESCRIPTION	Qty/Unit	NOTES
1	E11	210643070000	变档定位器弹簧(国际档)	SPRING	1	
2	E11	219323070020	变档定位器组件	STOPPER, GEAR SHIFT	1	
3	E11	B0107060256H	螺栓M6×25 (镀彩锌)	BOLT M6X25	1	
4	E11	219014310000	变挡轴组合	SHAFT ASSY.,GEAR SHIFT	1	
5	E11	210024030000	换档凸轮	PLATE,GEAR SHIFT CAM	1	
6	E11	B091404010B0	销4 2.4X 10	PIN4GA X 10	1	
7	E11	219054030000	换档鼓	CAM,GEAR SHIFT	1	
8	E11	210383070000	触头弹簧	SPRING	1	
9	E11	210343070000	变档转换触头	ANTENNA	1	
10	E11	219084050000	拨叉轴	SHAFT,GEAR SHIFT	1	
11	E11	219123070000	右变档拨叉	FORK,GEAR SHIFT RH	1	
12	E11	219113070000	中间变档拨叉	FORK,GEAR SHIFT MD	1	
13	E11	B08010001200	挡圈12	CIRCLIP φ12	1	
14	E11	210273070000	变挡板弹簧	SPRING	1	
15	E11	210283070001	变挡板	PLATE,GEAR SHIFT	1	
16	E11	210064310000	变挡轴组件	SHAFT,GEAR SHIFT	1	
17	E11	210293070000	变档轴回位弹簧	SPRING,RETURN	1	
18	E11	210303070000	止推垫圈Φ14	WASHER,THRUSTΦ14	2	
19	E11	B08010001400	挡圈14	CIRCLIP φ14	1	
20	E11	219104030010	换档拨叉 (左)	FORK,GEAR SHIFT LH	1	
21	E11	250123070100	螺栓M6×20	BOLT M6X20	1	

E12.LEFT CRANKCASE ASSY



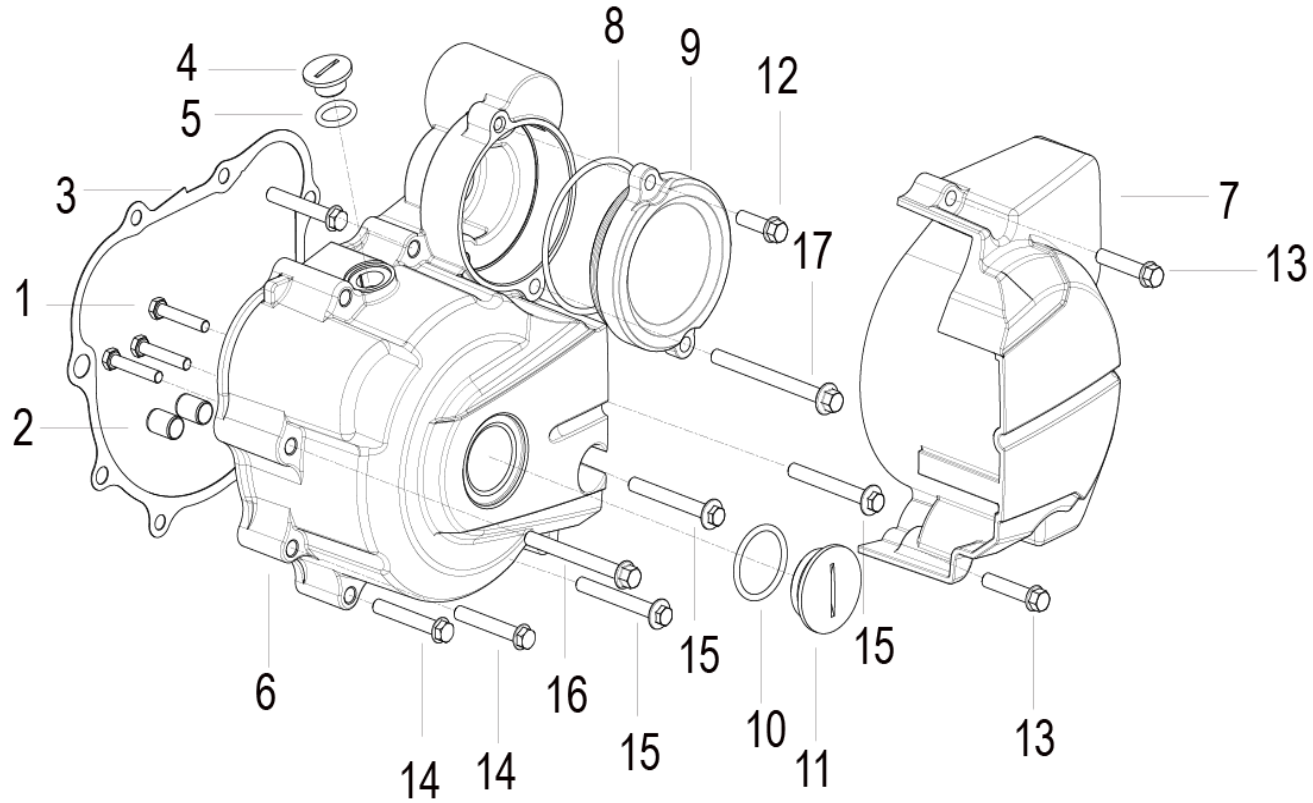
NO.	Position No.	CODE	CN DESCRIPTION	EN DESCRIPTION	Qty/Unit	NOTES
1	E12	150084290000	双头螺柱B	STUD BOLT B	2	
2	E12	150083070000	定位销	PIN,DOWEL	2	
3	E12	B12016020410	深沟球轴承6204/P6	BEARING6204/P6	1	
4	E12	B12016020202	深沟球轴承6202-Z/P6	BEARING6202/P6	1	
5	E12	150154310000	合箱纸垫(石棉)	GASKET,with asbestos	1	with asbestos
6	E12	159024310030	左箱体(深灰银)	LEFT CRANKCASE	1	
7	E12	150083070000	定位销	PIN,DOWEL	2	
8	E12	150043070000	油封20X34X7	OIL SEAL20x34x7	1	
9	E12	150034290000	导线压板	RETAINER LINE	1	
10	E12	150033070000	油封14X28X7	OIL SEAL14x28x7	1	
11	E12	219073070004	档位显示器 (五档国际档)	SHIFT SENOR	1	
12	E12	150104290010	推力堵头压板	PLATE	1	
13	E12	150094290000	轴承推力堵头	PLUG	1	
14	E12	150124290000	推力堵头弹簧	SPRING	1	
15	E12	B1308040200H	组合件M4x20	COMBINATION BOLT M4x20	2	
16	E12	150023070000	滤油器弹簧盖	CAP,STRAINER	1	
17	E12	150293070000	O型密封圈35X3	O RING35x3	1	
18	E12	150183070000	滤清器弹簧	SPRING	1	
19	E12	150093070000	机油滤芯组合	STERNER	1	
20	E12	B0103060146H	六角头螺栓M6x14	BOLT M6x14	1	
21	E12	B01070601263	六角法兰面螺栓M6x12	BOLT M6x12	1	
22	E12	B0107060506H	六角法兰面螺栓M6x50	BOLT M6x50	11	
23	E12	B0107060606H	六角法兰面螺栓M6x60	BOLT M6x60	4	
24	E12	B12016030103	滚动轴承6301/P5C3	BEARING 6301/P5C3	1	

E13.MAGNETO ASSY



NO.	Position No.	CODE	CN DESCRIPTION	EN DESCRIPTION	Qty/Unit	NOTES
1	E13	299034290020	线圈组合 (电瓶点火8极)	STATOR ASSY. COMP.	1	
2	E13	240073070000	星轮结合件	STAR WHEEL CONJUNCTION	1	
5	E13	200013070000	插座护套	JUNCTION BOX	1	
6	E13	290053070000	触发器组合	COIL,PICK UP	1	
7	E13	290023070100	螺钉M5X14	SCREW M5X14	2	
8	E13	29001307001X	螺钉M8X18	SCREW M8X18	3	
9	E13	299024290000	飞轮组合 (8极)	ROTOR ASSY	1	
10	E13	249074290000	起动大齿轮组件	GEAR,STARTER	1	

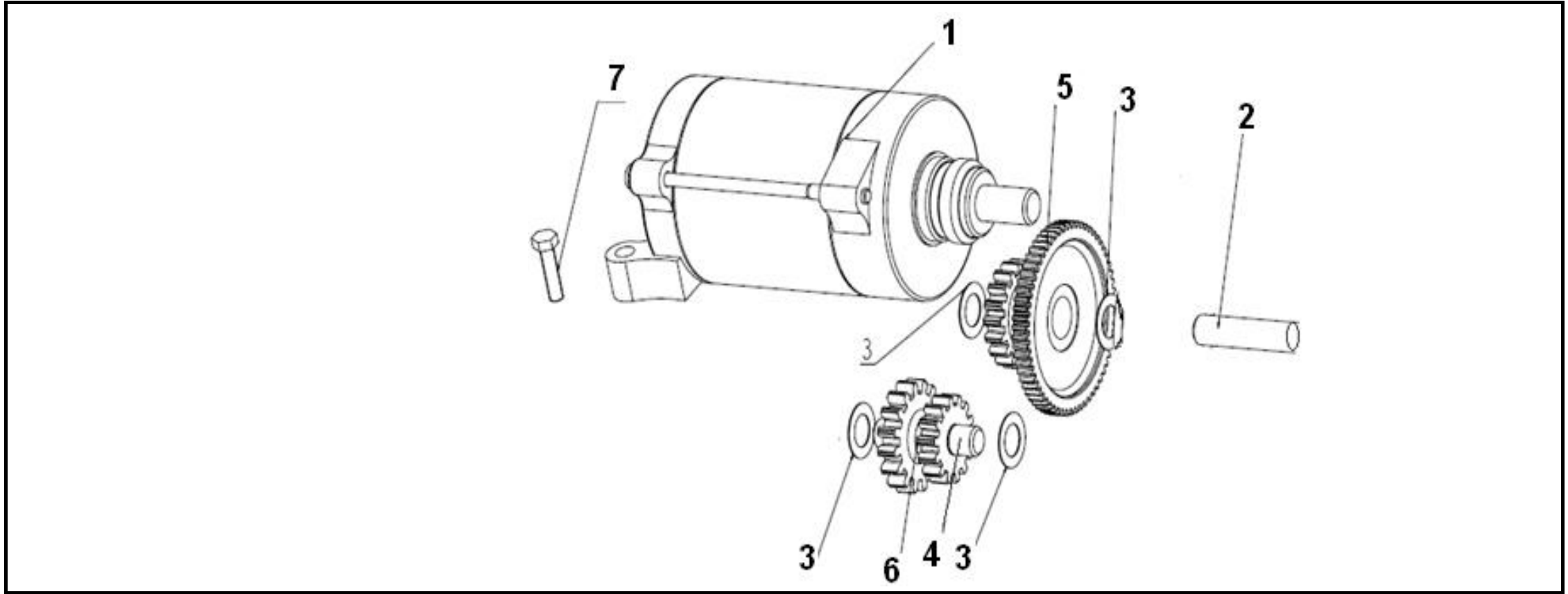
E14.MAGNETO COVER



NO.	Position No.	CODE	CN DESCRIPTION	EN DESCRIPTION	Qty/Unit	NOTES
1	E14	B0103050286H	六角头螺栓M5x28	BOLT M5x28	3	
2	E14	150083070000	定位销	PIN,DOWEL	2	
3	E14	169074290000	左盖垫片(石棉)	GASKET,LEFT COVER,with asbestos	1	with asbestos
4	E14	160053070060	螺塞	PLUG	1	
5	E14	B190101380B0	O型密封圈13.8x2.5	O RING13.8x2.5	1	
6	E14	169024290030	左盖	LEFT COVER	1	
7	E14	169054310000	左后盖(钱江灰塑料件)	COVER,SPROCKET,GREY	1	
8	E14	B190106200B0	O型圈	O-RING	1	

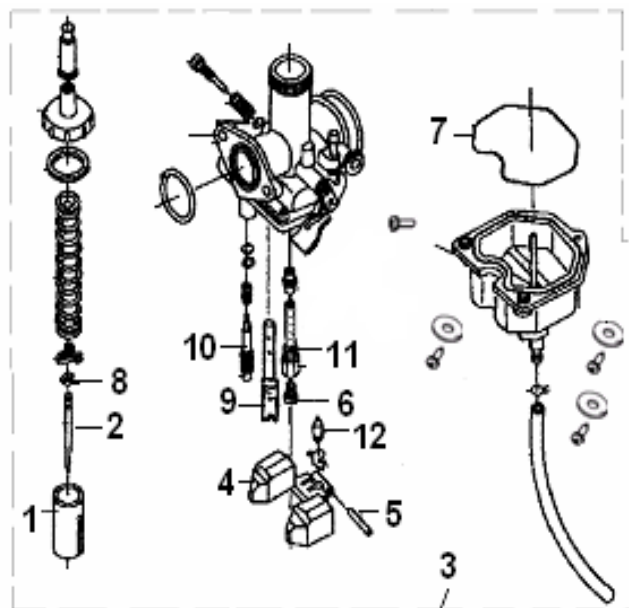
NO.	Position No.	CODE	CN DESCRIPTION	EN DESCRIPTION	Qty/Unit	NOTES
9	E14	160054290020	电起动齿轮室盖	COVER STARTER MOTOR	1	
10	E14	B190102740B0	O型圈27.4x2.4	O RING	1	
11	E14	160033070030	磁电机螺塞(深灰银)	COVER,SILVER GREY	1	
12	E14	B0107060206H	六角法兰面螺栓M6x20	BOLT M6x20	1	
13	E14	B0107060306H	六角法兰面螺栓M6x30	BOLT M6x30	2	
14	E14	B0107060406H	六角法兰面螺栓M6x40	BOLT M6x40	3	
15	E14	B0107060506H	六角法兰面螺栓M6x50	BOLT M6x50	3	
16	E14	B0107060606H	六角法兰面螺栓M6x60	BOLT M6x60	1	
17	E14	B0107060706H	六角法兰面螺栓M6x70	BOLT M6x70	1	

E15.STARTING MOTOR ASSY



NO.	Position No.	CODE	CN DESCRIPTION	EN DESCRIPTION	Qty/Unit	NOTES
1	E15	249014310040	起动电机总成	STARTER MOTOR ASSY. COMP.	1	
2	E15	16020307001X	电起动齿轮轴	SHAFT,STARTER GEAR	1	
3	E15	160133070000	垫圈11x18.5x0.4	WASHER 11x18.5x0.4	4	
4	E15	240024290000	电起动惰轮轴	SHAFT,GEAR,STARTER IDLE	1	
5	E15	240014290000	电起动齿轮	GEAR	1	
6	E15	249044290000	电起动惰齿轮	GEAR,STARTER IDLE	1	
7	E15	B0107060256H	六角法兰面螺栓M6X25	BOLT M6X25	2	

E16.CARBJURETOR ASSY



NO.	Position No.	CODE	CN DESCRIPTION	EN DESCRIPTION	Qty/Unit	NOTES
1	E16	3322103M0000	柱塞	VALVE,PISTON	1	
2	E16	3324201M0020	油针	NEEDLE,IET	1	
3	E16	3390001M0012	化油器分总成 (生产标识X15,MJ155#,NJ35#)	CARBURETOR ASSY,MJ155#,NJ35#,mark:X15	1	
4	E16	3340101M0000	浮子组件	FLOAT	1	
5	E16	3340601M0000	浮子销	PIN,FLOAT	1	
6	E16	3311501M0014	主量孔(155#)	JET,MAIN 155#	1	
7	E16	3351401M0000	上下壳体密封圈	GASKET,FLOOR CHAMFER	1	
8	E16	3324801M0000	开口挡圈	CLIP	1	
9	E16	33A0201M0017	怠速量孔35#	JET, IDLE 35#	1	
10	E16	3314501M0000	混合比调节螺钉	SCREW AIR	1	
11	E16	3311001M0000	泡沫管	PIPE	1	
12	E16	3341901M0001	针阀体	VALVE, NEEDLE	1	